



FLECK® 2510
SERVICE MANUAL

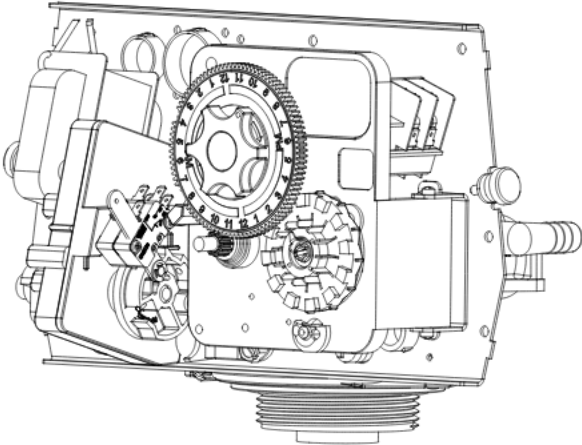


TABLE OF CONTENTS

JOB SPECIFICATION SHEET	3
INSTALLATION	3
START-UP INSTRUCTIONS	4
SYSTEM DISINFECTION.....	4
3200 TIMER SETTING PROCEDURE	5
3210 & 3220 TIMER SETTING PROCEDURE	6
3200, 3210, 3220, 3230 REGENERATION CYCLE SETTING PROCEDURE	6
3200 TIME CLOCK TIMER ASSEMBLY	8
3210 METER DELAYED TIMER ASSEMBLY	10
3220 METER IMMEDIATE TIMER ASSEMBLY	12
2510 SXT VALVE	14
2510 MANUAL VALVE	14
2510 ELECTROMECHANICAL SOFTENER METER	14
2510 ELECTROMECHANICAL SOFTENER TIME CLOCK	14
2510 ELECTROMECHANICAL FILTER TIME CLOCK	14
2510 VALVE ACCESSORIES	15
2510 VALVE CONVERSION ASSEMBLIES	16
POWERHEAD ASSEMBLY (ENVIRONMENTAL)	18
MANUAL POWERHEAD ASSEMBLY	20
CONTROL VALVE ASSEMBLY	21
METER ASSEMBLY	23
1600 BRINE SYSTEM ASSEMBLY	24
1650 BRINE SYSTEM.....	25
BYPASS VALVE ASSEMBLY (PLASTIC)	26
BYPASS VALVE ASSEMBLY (METAL).....	27
2300 SAFETY BRINE VALVE	28
2310 SAFETY BRINE VALVE	29
SEAL & SPACER TOOLS & REPLACEMENT	30
GENERAL SERVICE HINTS FOR METER CONTROL	31
TROUBLESHOOTING	32
FLOW DATA & INJECTOR DRAW RATES	33
WIRING	34
SERVICE ASSEMBLIES	35

IMPORTANT PLEASE READ:

- The information, specifications and illustrations in this manual are based on the latest information available at the time of release. The manufacturer reserves the right to make changes at any time without notice.
- This manual is intended as a guide for service of the valve only. System installation requires information from a number of suppliers not known at the time of manufacture. This product should be installed by a plumbing professional.
- This unit is designed to be installed on a potable water system only and is not intended to treat water that is microbiologically unsafe or of unknown quality without adequate disinfection before and after the system.
- This product must be installed in compliance with all state and municipal plumbing and electrical codes. Permits may be required at the time of installation.
- It is established that when daytime water pressure exceeds 80 psi (5.5 bar), the maximum pressure rating of 125 psi (8.6 bar) can be exceeded. A pressure regulator must be installed on this
- Do not install the unit where temperatures may drop below 32°F (0°C) or above 120°F (52°C).
- Do not place the unit in direct sunlight. Black units will absorb radiant heat increasing internal temperatures.
- Do not strike the valve or any of the components.
- Warranty of this product extends to manufacturing defects. Misapplication of this product may result in failure to properly condition water, damage to product, or personal injury.
- A prefilter should be used on installations in which free solids are present.
- In some applications local municipalities treat water with Chloramines. High Chloramine levels may damage valve components.
- Correct and constant voltage must be supplied to the controller to maintain proper function.
- The system is intended to treat only potable quality water. It is not intended as the permanent primary treatment of water from a source that is contaminated, such as from radon, pesticides, insecticides, sewage or wastewater.
- This system is not intended for use by persons (including children) with reduced physical, sensory, or mental capabilities, or lack of experience and knowledge, unless they have been given supervision or instruction concerning use of the appliance by a person responsible for their safety.
- Children shall not play with the system.
- Cleaning shall not be made by children without supervision.
- Periodic cleaning and maintenance may be required to function properly. See disinfection instructions on page 4.

CALIFORNIA PROPOSITION 65 WARNING

⚠️ WARNIN This product contains chemicals known to the State of California to cause cancer or birth defects or other reproductive harm.

JOB SPECIFICATION SHEET

Job Number: _____

Model Number: _____

Water Hardness: _____
ppm or gpg

Capacity Per Unit: _____

Mineral Tank Size: _____ Diameter: _____

Height: _____

Salt Setting per Regeneration: _____

1. Type of Timer:

- A. 7 Day or 12 Day
- B. Meter Initiated

2. Downflow: Upflow Upflow Variable

3. Meter Size:

- A. 3/4-inch Std Range (125 - 2,100 gallon setting)
- B. 3/4-inch Ext Range (625 - 10,625 gallon setting)
- C. 1-inch Std Range (310 - 5,270 gallon setting)
- D. 1-inch Ext Range (1,150 - 26,350 gallon setting)
- E. 1 1/2 inch Std Range (625 - 10,625 gallon setting)
- F. 1 1/2 inch Ext Range (3,125 - 53,125 gallon setting)
- G. 2-inch Std Range (1,250 - 21,250 gallon setting)
- H. 2-inch Ext Range (6,250 - 106,250 gallon setting)
- I. 3-inch Std Range (3,750 - 63,750 gallon setting)
- J. 3-inch Ext Range (18,750 - 318,750 gallon setting)
- K. Electronic _____ Pulse Count _____ Meter Size _____

4. System Type:

- A. System #4: 1 Tank, 1 Meter, Immediate, or Delayed Regeneration
- B. System #4: Time Clock
- C. System #4: Twin Tank
- D. System #5: 2-5 Tanks, Interlock Mechanical
2-4 Tanks, Interlock Electronic
Meter per unit for Mechanical and Electronic
- E. System #6: 2-5 Tanks, 1 Meter, Series Regeneration, Mechanical 2-4 Tanks, 1 Meter, Series Regeneration, Electronic
- F. System #7: 2-5 Tanks, 1 Meter, Alternating Regeneration, Mechanical 2 Tanks only, 1 Meter, Alternating Regeneration, Electronic
- G. System #9: Electronic Only, 2-4 Tanks, Meter per Valve, Alternating
- H. System #14: Electronic Only, 2-4 Tanks, Meter per Valve.
Brings units on and offline based on flow.

5. Valve Operating Parameters:

- Models: 2500, 2510, 2750, 2850** 20 psi / 1.4 bar / 138 kPa
Maximum operating pressure: 125 psi / 8.61 bar / 861 kPa
Minimum water temperature: 34° F / 1° C
Maximum water temperature: 110° F / 43° C
Maximum Ambient temperature: 120° F / 52° C
Maximum humidity: 75%
Input Voltage: 120 Volts AC / 60 Hz
Maximum Watts: 30 watts
Maximum altitude: 2000 meters

6. Timer Program Settings:

- A. Backwash: _____ Minutes
- B. Brine and Slow Rinse: _____ Minutes
- C. Rapid Rinse: _____ Minutes
- D. Brine Tank Refill: _____ Minutes
- E. Pause Time: _____ Minutes
- F. Second Backwash: _____ Minutes

7. Drain Line Flow Control: gpm

8. Brine Line Flow Controller: gpm

9. Injector Size#:

10. Piston Type:

- A. Hard Water Bypass
- B. No Hard Water Bypass

INSTALLATION

Water Pressure

A minimum of 20 pounds (1.4 bar) of water pressure is required for regeneration valve to operate effectively.

Electrical Warnings & Caution Statement

An uninterrupted alternating current (A/C) supply is required.

NOTE: Other voltages are available. Please make sure your voltage supply is compatible with your unit before installation.

Grounding Instructions

This appliance must be grounded. In the event of a malfunction or breakdown, grounding will reduce the risk of electric shock by providing a path of least resistance for electric current. This appliance is equipped with a cord having an appliance-grounding conductor and a grounding plug. The plug must be plugged into an appropriate outlet that is installed and grounded in accordance with all local codes and ordinances.

⚠ WARNING: Improper connection of the appliance-grounding conductor can result in a risk of electric shock. Check with a qualified electrician or service representative if you are in doubt whether the appliance is properly grounded. Do not modify the plug provided with the appliance; if it will not fit the outlet, have a proper outlet installed by a qualified technician.

⚠ WARNING: Risk of electric shock. Disconnect power before servicing.

FOR DRY LOCATIONS USE ONLY.

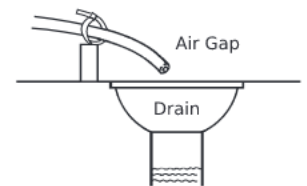
The cover should only be removed during installation set-up and maintenance by a qualified service person.

Existing Plumbing

Condition of existing plumbing should be free from lime and iron buildup. Piping that is built up heavily with lime and/or iron should be replaced. If piping is clogged with iron, a separate iron filter unit should be installed ahead of the water softener.

Location of Softener and Drain

The softener should be located close to the drain to prevent air breaks and back flow. You must have an air gap on the drain line to prevent back flow of drain water into the system. The air gap should be two (2) times the diameter of the drain line pipe but must be at least 1-inch.



By-Pass Valves

Always provide for the installation of a by-pass valve if unit is not equipped with one.

CAUTION Water pressure is not to exceed 125 psi (8.6 bar), water temperature is not to exceed 110°F (43°C), and the unit cannot be subjected to freezing conditions.

INSTALLATION CONTINUED

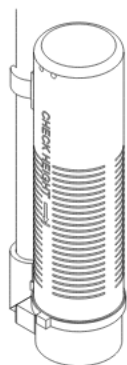
Installation Instructions

1. Place the softener tank where you want to install the unit making sure the unit is level and on a firm base.
2. During cold weather, the installer should warm the valve to room temperature before operating.
3. All plumbing should be done in accordance with local plumbing codes. The pipe size for residential drain line should be a minimum of 1/2 inch (13 mm). Backwash flow rates in excess of 7 gpm (26.5 Lpm) or length in excess of 20 feet (6 m) require 3/4 -inch (19 mm) drain line. Commercial drain lines should be the same size as the drain line flow control.
4. Refer to the dimensional drawing for cutting height of the distributor tube. If there is no dimensional drawing, cut the distributor tube flush with the top of the tank.
5. Lubricate the distributor o-ring seal and tank o-ring seal. Place the main control valve on tank.

NOTE: Only use silicone lubricant.

6. Solder joints near the drain must be done prior to connecting the Drain Line Flow Control fitting (DLFC). Leave at least 6 inches (15 cm) between the DLFC and solder joints when soldering pipes that are connected on the DLFC. Failure to do this could cause interior damage to the DLFC.
7. Plumber tape is the only sealant to be used on the drain fitting. The drain from twin tank units may be run through a common line.
8. Make sure that the floor is clean beneath the salt storage tank and that it is level.
9. Place approximately 1 inch (25 mm) of water above the grid plate. If a grid is not utilized, fill to the top of the air check (Figure 1) in the salt tank. Do not add salt to the brine tank at this time.
10. On units with a by-pass, place in by-pass position. Turn on the main water supply. Open a cold soft water tap nearby and let run a few minutes or until the system is free from foreign material (usually solder) that may have resulted from the installation. Once clean, close the water tap.
11. Slowly place the by-pass in service position and let water flow into the mineral tank. When water flow stops, slowly open a cold water tap nearby and let run until the air is

NOTE: All electrical connections must be connected according to local codes. Be certain the outlet is uninterrupted.



60002 Rev E

Figure 1 Residential Air Check Valve

START-UP INSTRUCTIONS

The water softener should be installed with the inlet, outlet, and drain connections made in accordance with the manufacturer's recommendations, and to meet applicable plumbing codes.

1. Turn the manual regeneration knob slowly in a clockwise direction until the program micro switch lifts on top of the first set of pins. Allow the drive motor to move the piston to the first regeneration step and stop. Each time the program switch position changes, the valve will advance to the next regeneration step. Always allow the motor to stop before moving to the next set of pins or spaces.

NOTE: For electronic valves, please refer to the manual regeneration part of the timer operation section. If the valve came with a separate electronic timer service manual, refer to the timer operation section of the electronic timer service manual.

2. Position the valve to backwash. Ensure the drain line flow remains steady for 10 minutes or until the water runs clear (see above).
3. Position the valve to the brine / slow rinse position. Ensure the unit is drawing water from the brine tank (this step may need to be repeated).
4. Position the valve to the rapid rinse position. Check the drain line flow, and run for 5 minutes or until the water runs clear.
5. Position the valve to the start of the brine tank fill cycle. Ensure water goes into the brine tank at the desired rate. The brine valve drive cam will hold the valve in this position to fill the brine tank for the first regeneration.
6. Replace control box cover.

NOTE: Do not use granulated or rock salt.

SYSTEM DISINFECTION

Disinfection of Water Softeners

The materials of construction of the modern water softener will not support bacterial growth, nor will these materials contaminate a water supply. During normal use, a softener may become fouled with organic matter, or in some cases with bacteria from the water supply. This may result in an off-taste or odor in the water.

Some softeners may need to be disinfected after installation and some softeners will require periodic disinfection during their normal life.

Depending upon the conditions of use, the style of softener, the type of ion exchanger, and the disinfectant available, a choice can be made among the following methods.

Sodium or Calcium Hypochlorite

Application

These materials are satisfactory for use with polystyrene resins, synthetic gel zeolite, greensand and bentonites.

5.25% Sodium Hypochlorite

These solutions are available under brand names of household bleach. If stronger solutions are used, such as those sold for commercial laundries, adjust the dosage accordingly.

1. Dosage
 - A. Polystyrene resin; 1.2 fluid ounce (35.5 ml) per cubic foot.
 - B. Non-resinous exchangers; 0.8 fluid ounce (23.7 ml) per cubic foot.

SYSTEM DISINFECTION *CONTINUED*

2. Salt tank softeners
 - A. Backwash the softener and add the required amount of hypochlorite solution to the well of the salt tank. The salt tank should have water in it to permit the solution to be carried into the softener.
 - B. Proceed with the normal recharge.

Calcium Hypochlorite

Calcium hypochlorite, 70% available chlorine, is available in several forms including tablets and granules. These solid materials may be used directly without dissolving before use.

1. Dosage
 - A. Two grains (approximately 0.1 ounce [3 ml]) per cubic foot.
2. Salt tank softeners
 - A. Backwash the softener and add the required amount of hypochlorite to the well of the salt tank. The salt tank should have water in it to permit the chlorine solution to be carried into the softener.
 - B. Proceed with the normal recharge.

3200 TIMER SETTING PROCEDURE

How To Set Days On Which Water Conditioner Is To Regenerate (Figure 2)

Rotate the skipper wheel until the number "1" is at the red pointer. Set the days that regeneration is to occur by sliding tabs on the skipper wheel outward to expose trip fingers. Each tab is one day. Finger at red pointer is tonight. Moving clockwise from the red pointer, extend or retract fingers to obtain the desired regeneration schedule.

How To Set The Time Of Day

1. Press and hold the red button in to disengage the drive gear.
2. Turn the large gear until the actual time of day is at the time of day pointer.
3. Release the red button to again engage the drive gear.

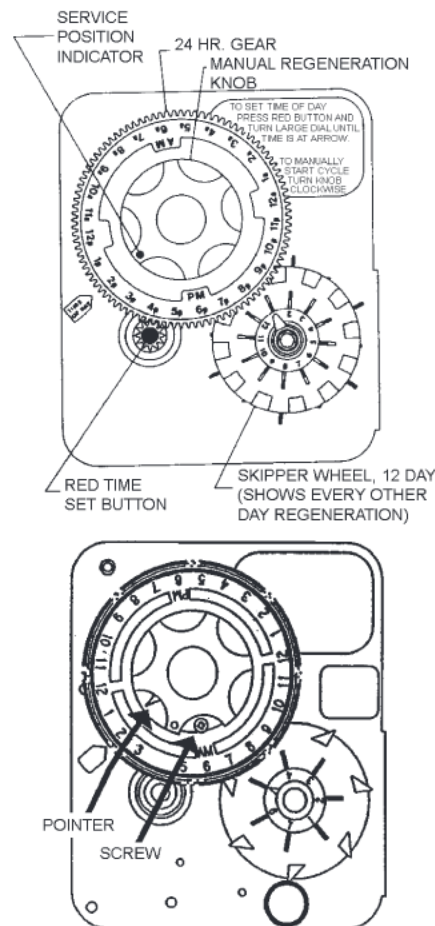
How To Manually Regenerate Your Water Conditioner At Any Time

1. Turn the manual regeneration knob clockwise.
2. This slight movement of the manual regeneration knob engages the program wheel and starts the regeneration program.
3. The black center knob will make one revolution in the following approximately three hours and stop in the position shown in the drawing.
4. Even though it takes three hours for this center knob to complete one revolution, the regeneration cycle of your unit might be set for only one half of this time.
5. In any event, conditioned water may be drawn after rinse water stops flowing from the water conditioner drain line.

How to Adjust Regeneration Time

1. Disconnect the power source.
2. Locate the three screws behind the manual regeneration knob by pushing the red button in and rotating the 24 hour dial until each screw appears in the cut out portion of the manual regeneration knob.

3. Loosen each screw slightly to release the pressure on the time plate from the 24-hour gear.
4. Locate the regeneration time pointer on the inside of the 24-hour dial in the cut out.
5. Turn the time plate so the desired regeneration time aligns next to the raised arrow.
6. Push the red button in and rotate the 24-hour dial. Tighten each of the three screws.
7. Push the red button and locate the pointer one more time to ensure the desired regeneration time is correct.



3200 ADJUSTABLE REGENERATION TIMER

IMPORTANT!
SALT LEVEL MUST ALWAYS BE ABOVE
WATER LEVEL IN BRINE TANK

61502-3200 Rev A

Figure 2

3210 & 3220 TIMER SETTING PROCEDURE

Typical Programming Procedure

Calculate the gallon capacity of the system, subtract the necessary reserve requirement and set the gallons available opposite the small white dot on the program wheel gear (Figure 3).

NOTE: Drawing shows 8,750 gallon setting. The capacity (gallons) arrow (15) shows zero gallons remaining. The unit will regenerate tonight at the set regeneration time.

How To Set The Time Of Day

1. Press and hold the red button in to disengage the drive gear.
2. Turn the large gear until the actual time of day is opposite the time of day pointer.
3. Release the red button to again engage the drive gear.

How To Manually Regenerate Your Water Conditioner At Any Time

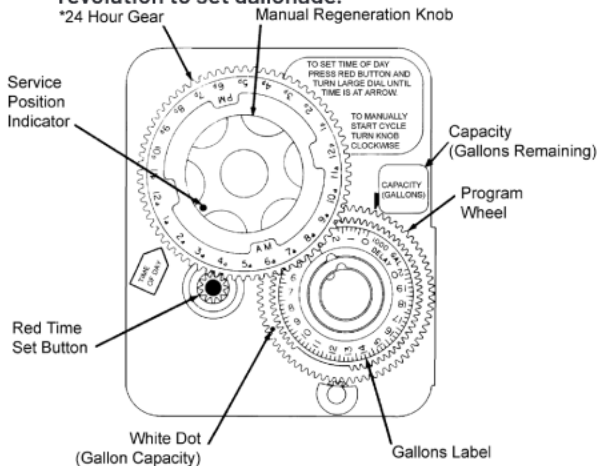
1. Turn the manual regeneration knob clockwise.
2. This slight movement of the manual regeneration knob engages the program wheel and starts the regeneration program.
3. The black center knob will make one revolution in the following approximately three hours and stop in the position shown in the drawing.
4. Even though it takes three hours for this center knob to complete one revolution, the regeneration cycle of your unit might be set for only one half of this time.
5. In any event, conditioned water may be drawn after rinse water stops flowing from the water conditioner drain line.

Immediate Regeneration Timers

These timers do not have a 24-hour gear. Setting the gallons on the program wheel and manual regeneration procedure are the same as previous instructions. The timer will regenerate as soon as the capacity gallons reaches zero.

NOTE: The program wheel to the left may be different than the program wheel on the product.

NOTE: To set meter capacity rotate manual knob one - 360° revolution to set gallonage.



61502-3200 Rev A

Figure 3

3200, 3210, 3220, 3230 REGENERATION CYCLE SETTING PROCEDURE

How To Set The Regeneration Cycle Program

The regeneration cycle program on your water conditioner has been factory preset, however, portions of the cycle or program may be lengthened or shortened in time to suit local conditions.

3200 Series Timers (Figure 4)

1. To expose cycle program wheel, grasp timer in upper left-hand corner and pull, releasing snap retainer and swinging timer to the right.
2. To change the regeneration cycle program, the program wheel must be removed. Grasp program wheel and squeeze protruding lugs toward center, lift program wheel off timer. Switch arms may require movement to facilitate removal.
3. Return timer to closed position engaging snap retainer in back plate. Make certain all electrical wires locate above snap retainer post.

Timer Setting Procedure

How To Change The Length Of The Backwash Time

The program wheel as shown in the drawing is in the service position. As you look at the numbered side of the program wheel, the group of pins starting at zero determines the length of time your unit will backwash.

For example, if there are six pins in this section, the time of backwash will be 12 min. (2 min. per pin). To change the length of backwash time, add or remove pins as required. The number of pins times two equals the backwash time in minutes.

How To Change The Length Of Brine And Rinse Time

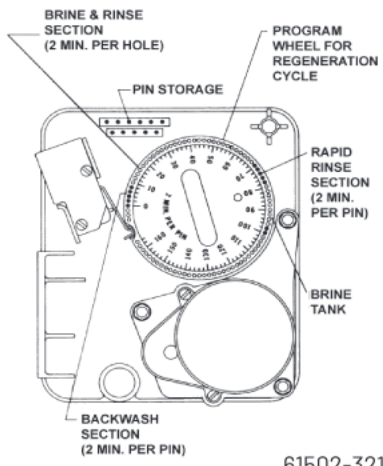
1. The group of holes between the last pin in the backwash section and the second group of pins determines the length of time that your unit will brine and rinse (2 min. per hole).
2. To change the length of brine and rinse time, move the rapid rinse group of pins to give more or fewer holes in the brine and rinse section. Number of holes times two equals brine and rinse time in minutes.

How To Change The Length Of Rapid Rinse

1. The second group of pins on the program wheel determines the length of time that your water conditioner will rapid rinse (2 min. per pin).
2. To change the length of rapid rinse time, add or remove pins at the higher numbered end of this section as required. The number of pins times two equals the rapid rinse time in minutes.

How To Change The Length Of Brine Tank Refill Time

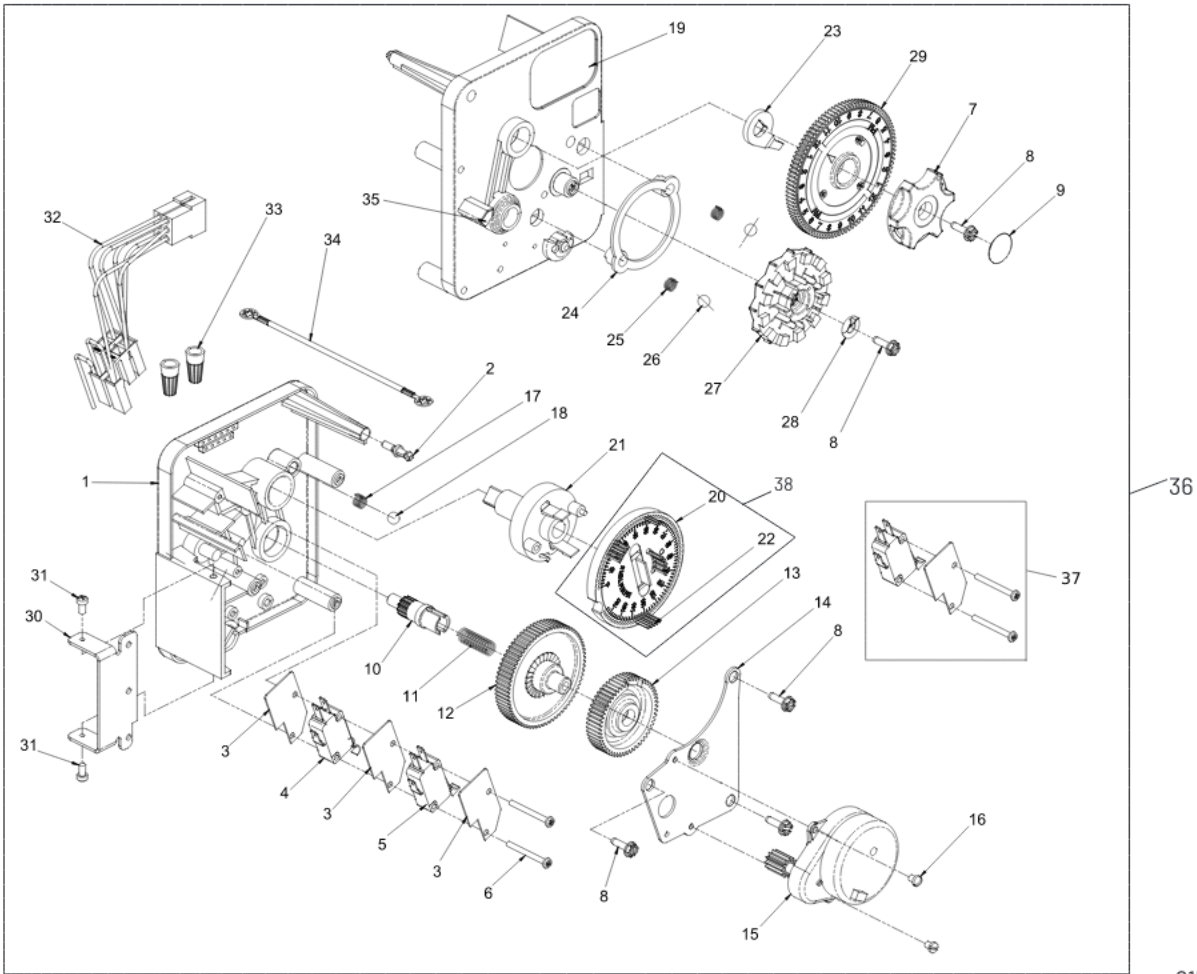
1. The second group of holes in the program wheel determines the length of time that your water conditioner will refill the brine tank (2 min. per hole).
2. To change the length of refill time, move the two pins at the end of the second group of holes as required.
3. The regeneration cycle is complete when the outer microswitch is tripped by the two pin set at end of the brine tank refill section.
4. The program wheel, however, will continue to rotate until the inner micro switch drops into the notch on the program wheel.



61502-3210 Rev A

Figure 4

3200 TIME CLOCK TIMER ASSEMBLY



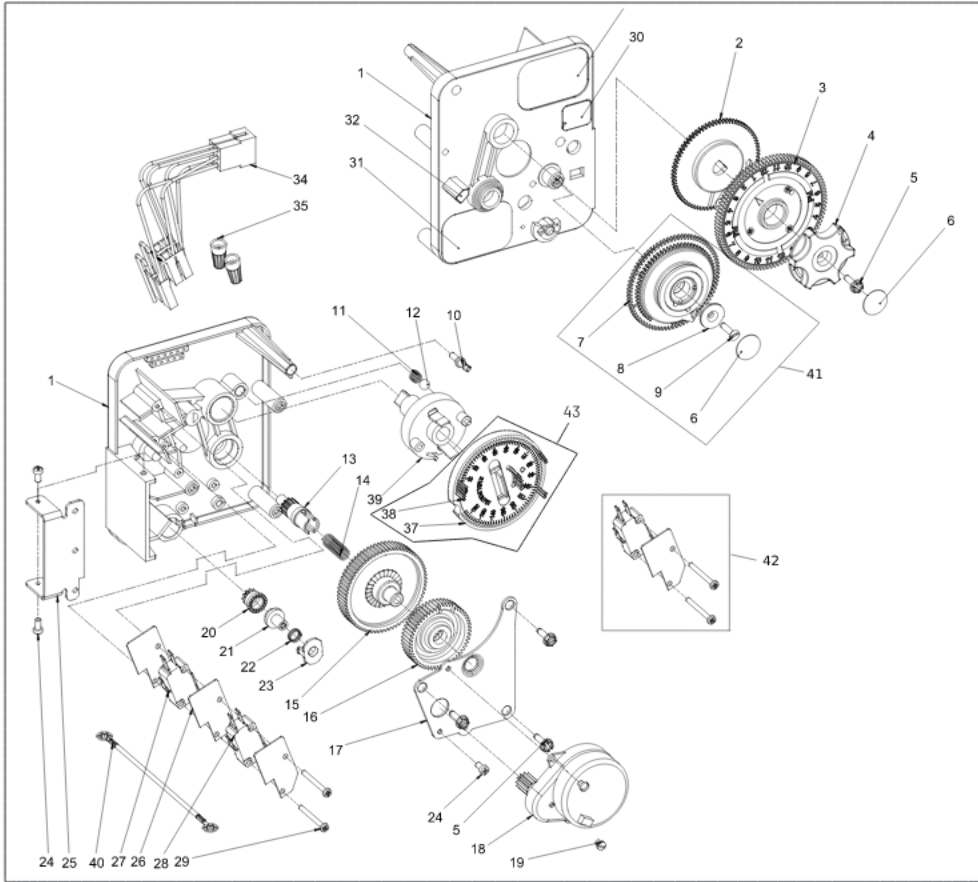
615023200 Rev A

3200 TIME CLOCK TIMER ASSEMBLY *CONTINUED*

Item No.	QTY	Part No.	Description	Item No.	QTY	Part No.	Description
1	1	13870	Housing, Timer, 3200	27	1	14381	Skipper Wheel Assy, 12 Day
2	1	14265	Clip, Spring			14860	Skipper Wheel Assy, 7 Day
3	3	14087	Insulator	28	1	13014	Pointer, Regeneration
4	1	10896	Switch, Micro	29	1	40096-24	Dial, 12 AM Regen Assy, Black
5	1	15320	Switch, Micro, Timer			40096-02	Dial, 2 AM Regen Assy, Black
6	2	11413	Screw, Pan Hd Mach, 4-40 x 1-1/8	30	1	13881	Bracket, Hinger Timer
7	1	13886	Knob, 3200	31	2	11384	Screw, Phil, 6-32 x 1/4 Zinc
8	5	13296	Screw, Hex Wsh, 6-20 x 1/2	32	1	13902	Harness, 3200
9	1	11999	Label, Button	33	2	40422	Nut, Wire, Tan
10	1	13018	Pinion, Idler	34	1	15354-01	Wire, Ground, 4 inches
11	1	13312	Spring, Idler Shaft	35	1	14007	Label, Time of Day
12	1	13017	Gear, Idler	36	1	*	Complete 3200 Time Clock Timer Assembly
13	1	13164	Gear, Drive	37		60320-02	Switch Kit, 3200/9000 Timer Auxiliary, Optional
14	1	13887	Plate, Motor Mounting	38		61420-03	Program Wheel, Gear Assy, Filter 2 Min Per Pin
15	1	18743-1	Motor, 120V, 60Hz, 1/30 RPM			61420-04	Program Wheel, Gear Assy, Softener, 2 Min Per Pin
		18752-1	Motor, 100V, 50Hz, 1/30 RPM				
		18824-1	Motor, 230V, 50Hz, 1/30 RPM				
		18826-1	Motor, 24V, 50Hz, 1/30 RPM				
		19659-1	Motor, 24V, 60Hz, 1/30 RPM				
		19660-1	Motor, 230V, 60Hz, 1/30 RPM				
16	2	13278	Screw, Fillister Hd 6-32 x .156				
17	1	15424	Spring, Detent, Timer				
18	1	15066	Ball, 1/4-inch, Delrin				
19	1	15465	Label, Caution				
20	1	19210	Program Wheel Assy				
21	1	13911	Gear, Main Drive, Timer				
22	17	41754	Pin, Spring, 1/16 x 5/8 SS, Timer				
23	1	13011	Arm, Cycle Actuator				
24	1	13864	Ring, Skipper Wheel				
25	2	13311	Spring, Detent, Timer				
26	2	13300	Ball, 1/4-inch, SS				

*See Powerhead Ordering Guide

3210 METER DELAYED TIMER ASSEMBLY



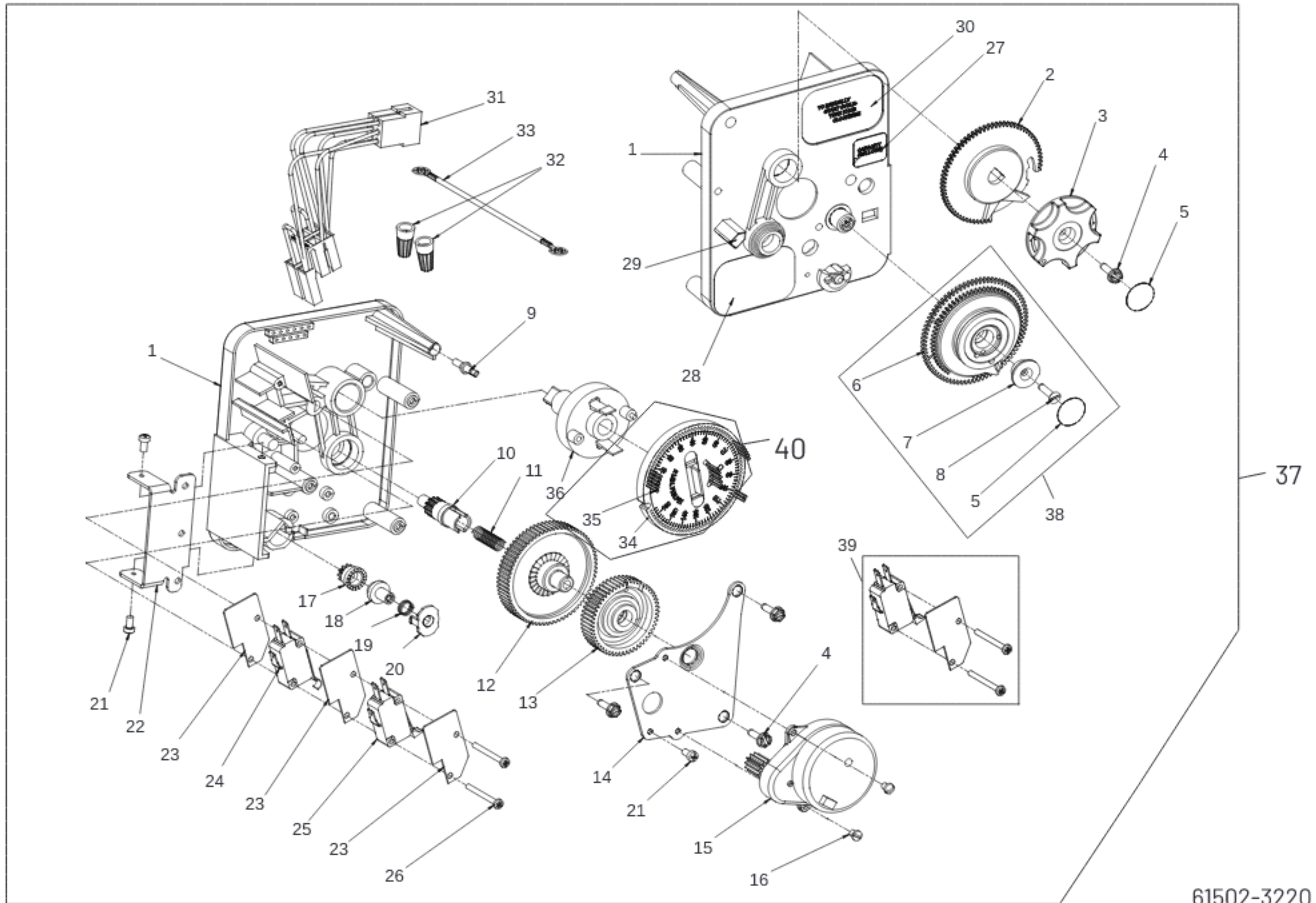
61502-3210 Rev A

3210 METER DELAYED TIMER ASSEMBLY *CONTINUED*

Item No.	QTY	Part No.	Description	Item No.	QTY	Part No.	Description
1	1	13870	Housing, Timer, 3200	30	1	14198	Label, Indicator
2	1	13802	Gear, Cycle Actuator	31	1	15465	Label, Caution
3	1	40096-02	Dial 2 AM Regen Assy, Black	32	1	14007	Label, Time of Day
4	1	13886	Knob, 3200	33	1	14045	Label, Instruction
5	4	13296	Screw, Hex Wsh, 6-20 x 1/2	34	1	13902	Harness, 3200
6	2	11999	Label, Button	35	2	40422	Nut, Wire, Tan
7	1	13803	Gear, Program Drive Wheel	36	1	15354-01	Wire, Ground, 4 inches
8	1	13806	Retainer, Program Wheel	37	1	19210	Program Wheel Assy
9	1	13748	Screw, Flat Head St, 6-20 x 1/2	38	17	41754	Pin, Spring, 1/16 x 5/8 SS, Timer
10	1	14265	Clip, Spring	39	1	13911	Gear, Main Drive, Timer
11	1	15424	Spring, Detent, Timer	40	1	*	Complete 3210 Meter Delayed Timer Assembly
12	1	15066	Ball, 1/4-inch Delrin	41		60405-10	Program Wheel, w/3/4-inch STD Label 0-2,100 gal
13	1	13018	Pinion, Idler			60405-20	Program Wheel, w/3/4-inch EXT Label 0-10,000 gal
14	1	13312	Spring, Idler Shaft			60405-11	Program Wheel, w/3/4-inch STD Metric Label 0-8 m ³
15	1	13017	Gear, Idler			60405-21	Program Wheel, w/3/4-inch EXT Range 0-40 m ³
16	1	13164	Gear, Drive	42		60320-02	Switch Kit, 3200/9000 Timer Auxiliary, Optional
17	1	13887	Plate, Motor Mounting	43		61420-03	Program Wheel, Gear Assy, Filter 2 Min Per Pin
18	1	18743-1	Motor, 120V, 60Hz, 1/30 RPM			61420-04	Program Wheel, Gear Assy, Softener, 2 Min Per Pin
		18752-1	Motor, 100V, 50Hz, 1/30 RPM				
		18824-1	Motor, 230V, 50Hz, 1/30 RPM				
		18826-1	Motor, 24V, 50Hz, 1/30 RPM				
		19659-1	Motor, 24V, 60Hz, 1/30 RPM				
		19660-1	Motor, 230V, 60Hz, 1/30 RPM				
19	1	13278	Screw, Fillister Hd, 6-32 x .156				
20	1	13830	Pinion, Program Wheel Drive				
21	1	13831	Clutch, Drive Pinion				
22	1	14276	Spring, Meter, Clutch				
23	1	14253	Retainer, Clutch Spring				
24	3	11384	Screw, Phil, 6-32 x 1/4				
25	1	13881	Bracket, Hinge Timer				
26	3	14087	Insulator				
27	1	10896	Switch, Micro				
28	1	15320	Switch, Micro, Timer				
29	2	11413	Screw, Pan Hd Mach, 4-40 x 1 1/8				

*See Powerhead Ordering Guide

3220 METER IMMEDIATE TIMER ASSEMBLY



61502-3220 Rev B

3220 METER IMMEDIATE TIMER ASSEMBLY *CONTINUED*

Item No.	QTY	Part No.	Description	Item No.	QTY	Part No.	Description
1	1	13870	Housing, Timer	34	1	19210-05	Program Wheel Assembly, 9000/3230
2	1	15431	Gear, Cycle Actuator, System #5	35	17	41754	Pin, Spring, 1/16 x 5/8 Stainless Steel, Timer
3	1	13886	Knob, 3200	36	1	15055	Gear, Main Drive
4	4	13296	Screw, Hex Wsh, 6-20 x 1/2	37	1	*	Complete 3220 Meter Immediate Timer Assy
5	2	11999	Label, Button	38		60405-10	Program Wheel, w/3/4-inch STD Label 0-2,100 gal
6	1	13807	Gear, Program Drive Wheel			60405-20	Program Wheel, w/3/4-inch EXT Label 0-10,000 gal
7	1	13806	Retainer, Program Wheel			60405-11	Program Wheel, w/3/4-inch STD Metric Label 0-8 m3
8	1	13748	Screw, Flt Hd St, 6-20 x 1/2			60405-21	Program Wheel, w/3/4-inch EXT Range 0-40 m3
9	1	14265	Spring Clip	39		60320-02	Switch Kit, 3200/9000 Timer Auxiliary, Optional
10	1	13018	Pinion, Idler	40		61420-06	Program Wheel, Gear Assy, Softener Immediate 2 Min Per Pin
11	1	18563	Idler Shaft Spring			61420-42	Program Wheel, Gear Assy, Filter Immediate 2 Min Per Pin
12	1	13017	Gear, Idler				
13	1	13164	Drive Gear				
14	1	13887	Plate, Motor Mounting				
15	1	18743-1	Motor, 120V, 60 Hz, 1/30 RPM				
		18752-1	Motor, 100V, 50Hz, 1/30 RPM				
		18824-1	Motor, 230V, 50Hz, 1/30 RPM				
		18826-1	Motor, 24V, 50Hz, 1/30 RPM				
		19659-1	Motor, 24V, 60Hz, 1/30 RPM				
		19660-1	Motor, 230V, 60Hz, 1/30 RPM				
16	2	13278	Screw, Slt'd Fillister Hd				
17	1	14502	Pinion, Program Wheel				
18	1	14501	Clutch, Drive Pinion				
19	1	14276	Meter Clutch Spring				
20	1	14253	Retainer, Clutch Spring				
21	3	11384	Screw, Phil, 6-32 x 1/4 Zinc				
22	1	13881	Bracket, Hinge Timer				
23	3	14087	Insulator				
24	1	15414-00	Micro Switch				
25	1	15320	Switch, Micro, Timer				
26	2	11413	Screw, Pan Hd Mach, 4-40 x 1-1/8				
27	1	14198	Label, Indicator				
28	1	15465	Label, Caution				
29	1	14007	Label, Time of Day				
30	1	15148	Label, Instruction				
31	1	40617	Harness, 3220				
32	2	40422	Nut, Wire, Tan				
33	1	15354-01	Wire, Ground, 4 inches				

*See Powerhead Ordering Guide

2510 SXT VALVE

Item No.	QTY	Part No.	Description
1	1	251006-001	2510, SOF, DNF, CLK, SXT-, 24-60, CW 2-, .50, LES, NA2, 1650, HWBP
		251006-002	2510, SOF, DNF, M34, SXT-, 24-60, CW 1-, .50, LES, NA2, 1600, HWBP
		251006-004	2510, SOF, DNF, M34, SXT-, 24-60, CW 1-, .50, LES, NA2, 1650, HWBP
		251006-005	2510, SOF, DNF, M34, SXT-, 24-60, CW 1-, .50, LES, NA2, 1600, HWBP
		251006-006	2510, SOF, DNF, M34, SXT-, 24-60, CW 1-, .50, LES, NA2, 1600, HWBP
		251006-003	2510, FIL, DNF, CLK, SXT-, 24-60, CW BWF, BWF, LES, NA2, BWF-, HWBP

2510 MANUAL VALVE

Item No.	QTY	Part No.	Description
1	1	251011-002	2510, SOF, DNF, MAN, MAN-, MAN-, CW 1-, MAN, LES, NA2, MAN-, HWBP
		251011-001	2510, FIL, DNF, MAN, MAN-, MAN-, CW BWF, BWF, LES, NA2, BWF-, HWBP

2510 ELECTROMECHANICAL SOFTENER METER

Item No.	QTY	Part No.	Description
1	1	251002-001	2510, SOF, DNF, M34, MDEL, 12060, CW 1-, .50, LES, NA2, 1650, HWBP
		251002-002	2510, SOF, DNF, M34, MDEL, 12060, CW 1-, .50, LES, NA2, 1650, HWB,
		251002-003	2510, SOF, DNF, M34, MDEL, 12060, CW 2PV, .50, LES, NA2, 1600, HWB,

2510 ELECTROMECHANICAL SOFTENER TIME CLOCK

Item No.	QTY	Part No.	Description
1	1	251001-002	2510, SOF, DNF, CLK, 12DA, 12060, CW 1-, .50, LES, NA2, 1650, HWBP
		251001-006	2510, SOF, DNF, CLK, 12DA, 12060, CW 1-, .50, LES, NA2, 1650, HWBP
		251001-007	2510, SOF, DNF, CLK, 12DA, 12060, CW 2PV, .50, LES, NA2, 1600, HWBP

2510 ELECTROMECHANICAL FILTER TIME CLOCK

Item No.	QTY	Part No.	Description
1	1	251001-001	2510, FIL, DNF, CLK, 12DA, 12060, CW BWF, BWF, LES, NA2, BWF-, HWBP
		251001-003	2510, FIL, DNF, CLK, 12DA, 12060, CW BWF, BWF, LES, NA2, BWF-, HWBP
		251001-008	2510, FIL, DNF, CLK, 12DA, 12060, CW BWF, BWF, LES, NA2, BWF-, NWBP
		251000-001	2510, FIL, DNF, CLK, 7DAY, 12060, CW BWF, BWF, LES, NA2, BWF-, HWBP

NOTE: Above part numbers DO NOT include the following parts.

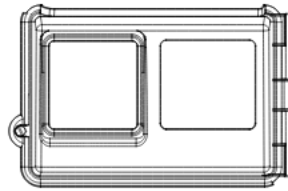
Cover
 Bypass Assembly
 Yoke Assembly
 DLFC with Retainer
 Flow Washers

See accessory page for options.

2510 VALVE ACCESSORIES

Covers

60219-02	Cover Assy, Environmental, Black w/clear window
60219-12	Cover Assy, Environmental, Black w/black window
60232-110	Cover, Designer, 1 pc. Black
60232-310	Cover, Designer, Gray/Black



COVER, ENVIRONMENTAL



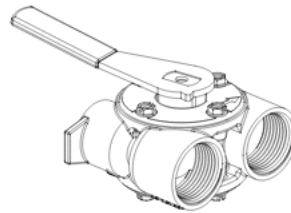
COVER, DESIGNER

Bypasses

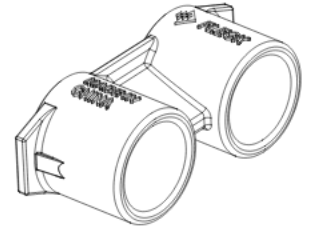
60041SS	1" Bypass, SS, NPT
60040SS	3/4" Bypass, SS, NPT
60049	Bypass, Plastic

Yokes

19620-01	Yoke Assy, 3/4", r/angle, 90 deg.
18706	1" Yoke, Plastic NPT
18706-10	1" Yoke, Plastic BSP
18706-02	3/4" Yoke, Plastic NPT
18706-12	3/4" Yoke, Plastic BSP
13708-40	1" Yoke, Sweat
41026-01	1" Yoke, SS, NPT
42690	3/4" Yoke, Sweat
41027-01	3/4" Yoke, SS, NPT



BYPASS



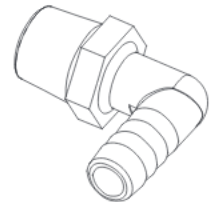
YOKE

Washers

19153	Washer, Flow, 0.6 GPM
19152	Washer, Flow, 0.8 GPM
12085	Washer, Flow, 1.2 GPM
19150	Washer, Flow, 1.3 GPM
12086	Washer, Flow, 1.5 GPM
12087	Washer, Flow, 2.0 GPM
12088	Washer, Flow, 2.4 GPM
12089	Washer, Flow, 3.0 GPM
12090	Washer, Flow, 3.5 GPM
12091	Washer, Flow, 4.0 GPM
19147	Washer, Flow, 4.5 GPM
12092	Washer, Flow, 5.0 GPM
17814	Washer, Flow, 6.0 GPM
12408	Washer, Flow, 7.0 GPM



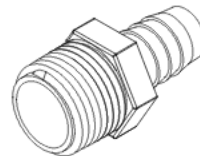
WASHER



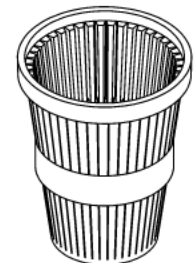
DRAIN ELBOW

Drain Elbows

19699	1/2" Drain Elbow, 45
13121	5/8" Drain Elbow, 90



HOSE BARBS



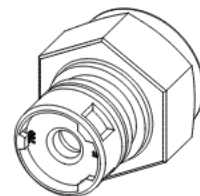
COLLECTOR

Hose Barbs

13308	1/2" Straight Hose Barb
13308-01	5/8" Straight Hose Barb

Collectors

18280	Top Collector, 1.050
18280-01	Top Collector, 1.050 Wide
18280-02	Top Collector, 1.050 Narrow



DLFC

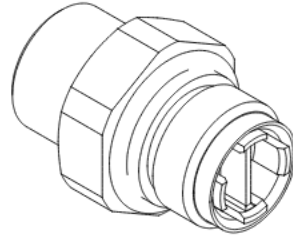
DLFC

60705-00	DLFC, Plastic, Blank
60706-8.0	DLFC, QC x 3/4"F, 8.0 GPM
60706-9.0	DLFC, QC x 3/4"F, 9.0 GPM
60706-10	DLFC, QC x 3/4"F, 10 GPM
60706-12	DLFC, QC x 3/4"F, 12 GPM
60706-15	DLFC, QC x 3/4"F, 15 GPM

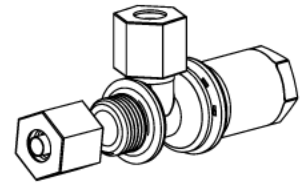
2510 VALVE CONVERSION ASSEMBLIES

BLFC

60010-25	BLFC, 1650, .25 GPM, Plastic (0.75 lbs NaCl/min)
60010-50	BLFC, 1650, .50 GPM, Plastic (1.5 lbs NaCl/min)
60010-100.....	BLFC, 1650, 1.0 GPM, Plastic (3 lbs NaCl/min)
60020-25	BLFC, .25 GPM 1600
60020-50	BLFC, .50 GPM 1600
60020-100	BLFC, 1.0 GPM 1600



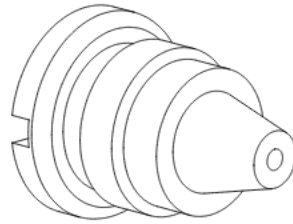
BLFC



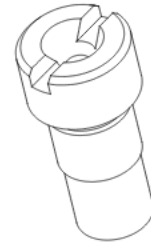
BRINE VALVE

Brine Valves

60011	Brine Valve, 1650, Less BLFC
60011-000	Brine Valve, 1650, Short Stem, 0.125 GPM Less Tube
60011-010	Brine Valve, 1650, Short Stem, 0.25 GPM Less Tube
60011-020	Brine Valve, 1650, Short Stem, 0.50 GPM Less Tube
60011-030	Brine Valve, 1650, Short Stem, 1.0 GPM Less Tube
60029	Brine Valve, 1650, Short Stem, Brass, Less BLFC
60029-01	Brine Valve, 1600, Short Stem, Less BLFC, Less Sm Parts
60029-010	Brine Valve, 1600, Short Stem, 0.25 GPM
60029-020	Brine Valve, 1600, Short Stem, 0.50 GPM
60029-030	Brine Valve, 1600, Short Stem, 1.0 GPM



INJECTOR NOZZLE



INJECTOR THROAT

Injector Nozzles

10913-0	Nozzle, Injector, #0, Red (8" Tank)
10913-00	Nozzle, Injector, #00, Violet (7" Tank)
10913-000	Nozzle, Injector, #000, Brown (6" Tank)
10913-1	Nozzle, Injector, #1, White (9" & 10" Tank)
10913-2	Nozzle, Injector, #2, Blue (12" Tank)
10913-3	Nozzle, Injector, #3, Yellow (13" Tank)
10913-4	Nozzle, Injector, #4, Green (14" Tank)
10913BLK	Nozzle, Injector, Black (Filter)
12973-0	Nozzle, Injector, #0, PVC
12973-1	Nozzle, Injector, #1, PVC
12973-2	Nozzle, Injector, #2, PVC
12973-3	Nozzle, Injector, #3, PVC
12973-4	Nozzle, Injector, #4, PVC

Injector Throats

10914-0	Throat, Injector, #0, Red (8" Tank)
10914-00	Throat, Injector, #00, Violet (7" Tank)
10914-000.....	Throat, Injector, #000, Brown (6" Tank)
10914-1	Throat, Injector, #1, White (9" & 10" Tank)
10914-2	Throat, Injector, #2, Blue (12" Tank)
10914-3	Throat, Injector, #3, Yellow (13" Tank)
10914-4	Throat, Injector, #4, Green (14" Tank)
12974-0	Throat, Injector, #0, PVC
12974-1	Throat, Injector, #1, PVC
12974-2	Throat, Injector, #2, PVC
12974-3	Throat, Injector, #3, PVC
12974-4	Throat, Injector, #4, PVC

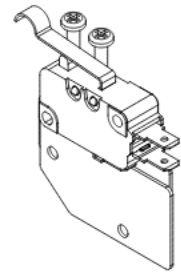
2510 VALVE CONVERSION ASSEMBLIES

Labels

14214Label, 13K
14076Label, 16K
13969Label, 18K
14046Label, 21K
13961Label, 24K
14047Label, 26K
14180Label, 28K
13962Label, 30K
14048Label, 32K
13971Label, 36K
14073Label, 40K
13974Label, 45K
14239Label, 48K
14074Label, 50K
14034Label, 60K
14183Label, 70K



LABEL



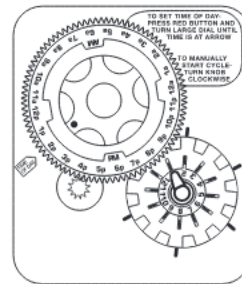
SWITCH

Switch

60320-12Switch Kit, 1500 thru 2850 SPG Drive Motor
----------	---

Timers/Powerheads (see Powerhead/Timer Ordering Guide)

60303-XX3200 7 Day Timer
60304-XX3200 12 Day Timer
60306-XX3200 Meter Delayed Timer



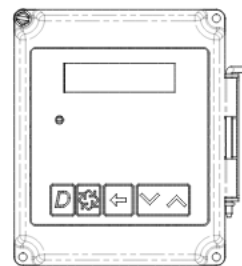
TIMERS, 3200



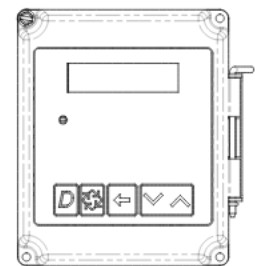
TIMER ASSY, SXT

Timers

42778Timer Assy, SXT, 2510/2750/2850
42466-01Timer Assy, XT, Right Hinged
42466-11Timer Assy, NXT, Right Hinged



TIMER ASSY, XT



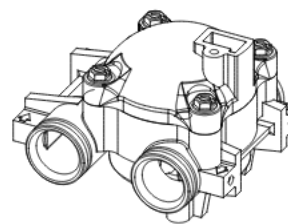
TIMER ASSY, NXT

Miscellaneous

60374Flat Cap Assy, 1600
10269Nut, Jam,, 3/4-16
43560Fitting, Brine Valve, Steel

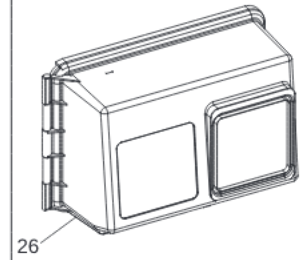
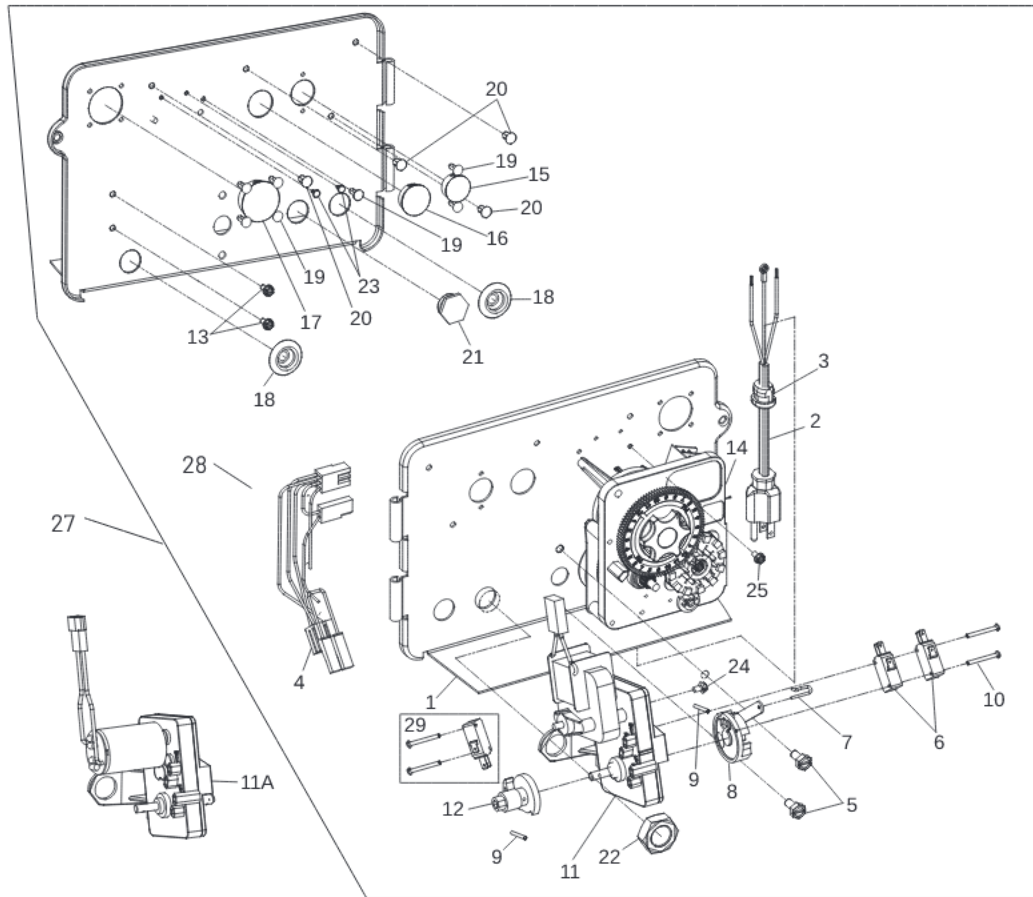
Meters

15495Meter Cable, 13.87"
15307Tube, Cable Guide, 2750
60088-180Meter Assy, 3/4" Dual Port, Slip, Std, Rt Ang/180, Plas, Pdl, w/clps
60089-180Meter Assy, 3/4" Dual Port, Slip, Ext, Rt Ang/180, Plas, Pdl, w/clps
60086-50Meter Assy, 3/4" Dual Port, Slip Elec, Plas, Pdl, w/clps
19121-01Meter Cable Assy, SE, Paddle
60626Meter Assy, Turbine, Electronic 3/4" with clips and screws
19791-02Meter Cable Assy, Turbine/SXT



METER ASSY, PADDLE

POWERHEAD ASSEMBLY (ENVIRONMENTAL)



BR61501-1500 Rev C

POWERHEAD ASSEMBLY (ENVIRONMENTAL) CONTINUED

Item No.	QTY	Part No.	Description
1	1	18697-15	Backplate, Hinged
2	1	11838	Power Cord, 6-feet, North American, Flat
		19303-01	Power Cord, 6-feet, Australian
		19885-01	Power Cord, 6-feet, Japanese
		11545-01	Power Cord, 6-feet, European
3	1	13547	Strain Relief, Cord
4	1	40400	Harness, Drive Designr/Envirmtl
5	2	10231	Screw, Slot Hex 1/4-20 x 1/2 35 in-lbs ±20%
6	2	10218	Switch, Micro
7	1	10909	Pin, Connecting Rod Spring
8	1	60160-15	Drive Cam Assy, STF, Blue, 2900
9	2	10338	Pin, Roll, 3/32 x 7/8
10	2	14923	Screw, Pan Hd MACH, 4-40 x 1.50 in-lbs ±10%
11	1	41543	Motor, Drive, 115V/60 Hz
		41545	Motor, Drive, 220V, 50-60Hz, SP, Fam 1
11A		42579	Motor, Drive, 24 VAC/DC, 50-60 Hz, Fam 1
12	1	12777	Cam, Shut-off Valve
13	2	10300	Screw, Hx Wash Head, 8 x 3/8 20 in-lbs ±20%
14	1	3200	Timer Assy, 3200 7 or 12 Day 3210 Meter Delay 3220 Meter Immediate
15	1	15806	Hole Plug, (HeyCo)
16	1	16493	Plug, Hole, HeyCo, .88 Dia
17	1	17421	Plug, 1.20 Hole
18	2	19691	Plug, .750 Dia. Hole, Flush
19	7	19800	Plug (Hole Size: Dia .140)
20	4	19801	Plug, Dia .190
21	1	43560	Fitting, Brine Valve (Used on Filter Valves)
22	1	10269	Nut, Jam, 3/4-16 (Used on Filter Valves)

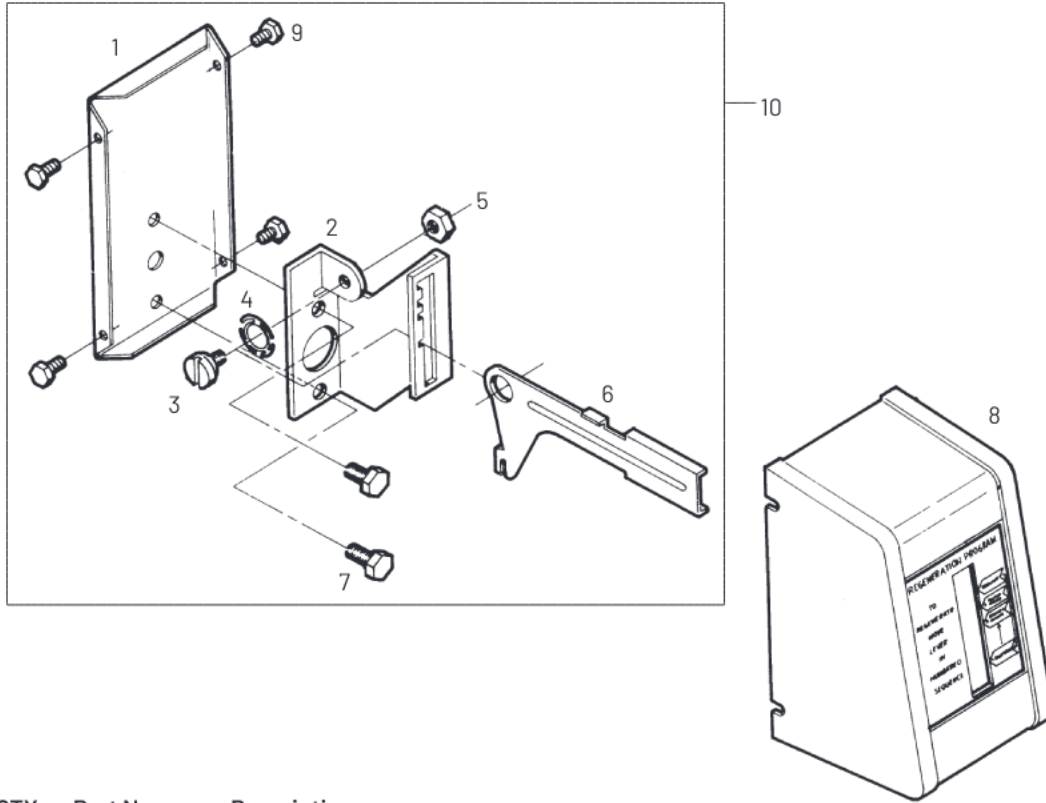
Item No.	QTY	Part No.	Description
			Wrench Tighten
23	2	41581	Plug, Hole .125 Dia, White
24	1	10872	Screw, Hex WSH, 8-32 x 5/16 20 IN-LBS ±20%
25	1	14202-01	Screw, Hex Washer #8-32 x 5/16 Hand Tighten
26	1	60219-02	Cover Assy, Environmental, Black, Clear Window
		60219-12	Cover Assy, Environmental, Black, Black Window
27	1	*	Powerhead Assembly
28	1	60050-23	Drive Motor Assy, 24 VAC/DC, 50-60 Hz FAM 1
		60050-21	Drive Motor Assy, 115V/60 Hz
		60050-22	Drive Motor Assy, 220V, 50-60 Hz SP FAM1
29		60320-12	Switch Kit, 1500-2850 Drive Motor

Not Shown:

- 115441Cable Guide Assy, 2510
- 115495Meter Cable, 13.87 inches

*See Powerhead Ordering Guide

MANUAL POWERHEAD ASSEMBLY



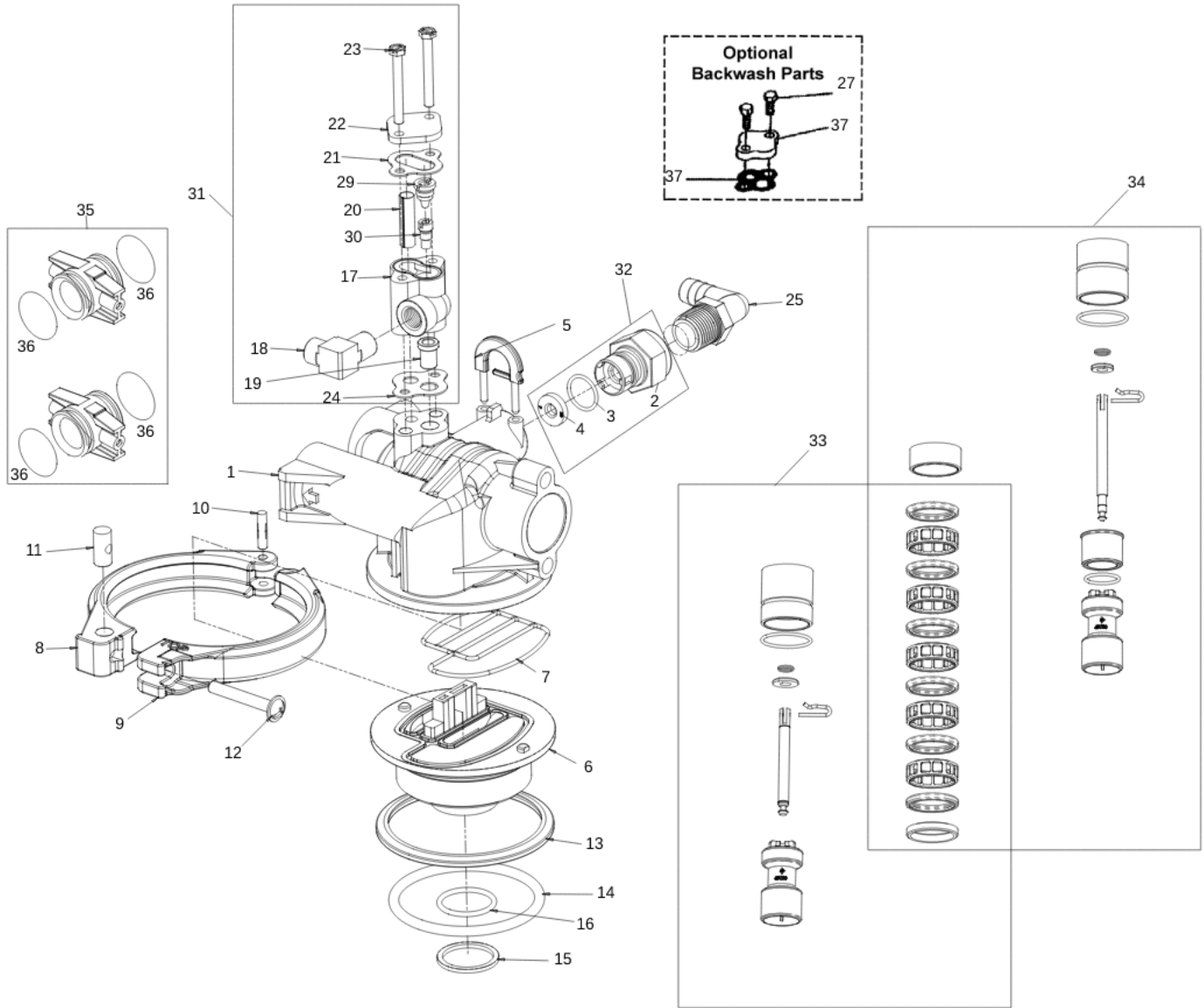
Item No.	QTY	Part No.	Description
1	1	12593	Backplate, Manual
2	1	12592	Bracket, Lever Position
3	1	12596	Screw, Spec Mach, 1/4 - 20 x 1/2
4	1	12707	Washer, Spring
5	1	11235	Nut, Hex, 1/4 - 20, Mach Screw, Zinc
6	1	12594	Lever, Valve Position
7	2	10231	Screw, Slot Hex, 1/4 - 20 x 1/2 18-8 SS
8	1	60224-32	Cover Assy, Manual, Filter
	1	60224-33	Cover Assy, Manual, Softener
9	4	10300	Screw, Slot Hex Wsh, 8-18 x 3/8 Type "B" RC44-47
10		60409	Powerhead Assy, Manual

Not Shown:

1		10909	Pin, Link
---	--	-------	-----------

60409 Rev A

CONTROL VALVE ASSEMBLY



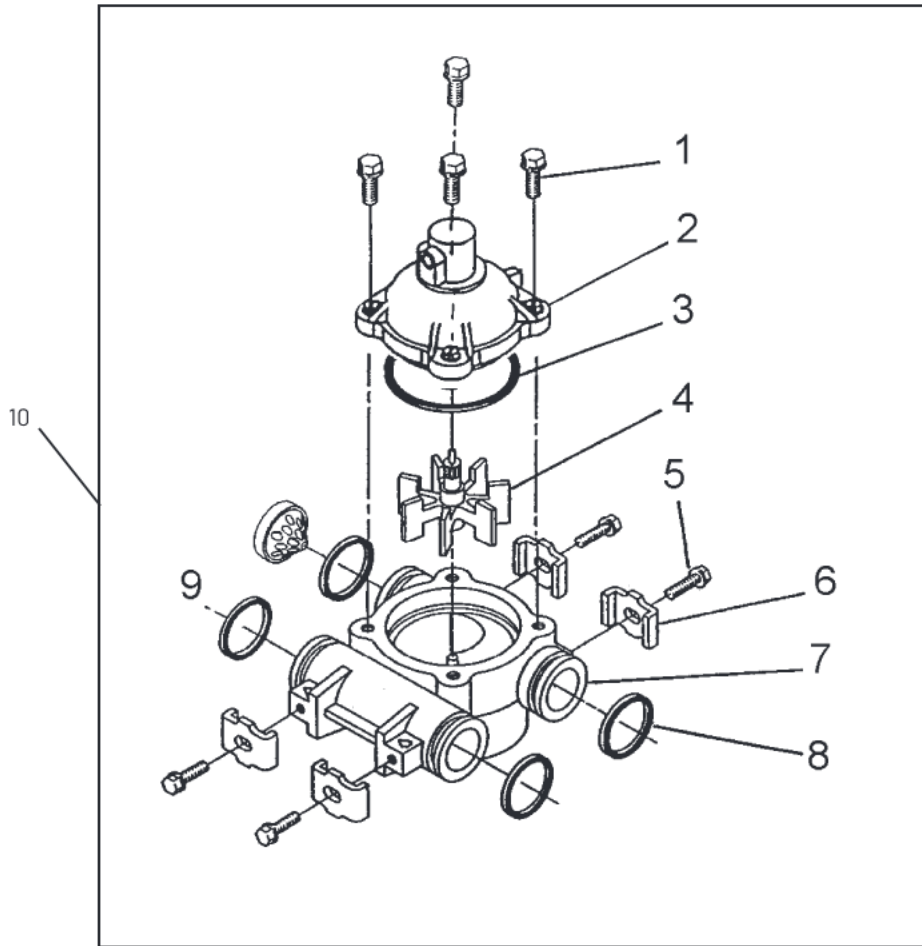
61500-2510 Rev B

Item No.	QTY	Part No.	Description	Item No.	QTY	Part No.	Description
1	1	19328	Valve Body, 2510	15	1	13030	Retainer, Dist Tube, O-ring
2	1	11385-01	Housing, Flow Control, Plastic	16	1	13304	O-ring, -121
3	1	11183	O-ring, -017	17	1	17776	Body, Injector, 1600
4	1	12408	Washer, Flow, 7.0 GPM	18	1	10328	Fitting, Elbow, 90 Deg.
5	1	18312	Retainer, Drain	19	1	16221	1/4-inch NPT x 3/8-inch Tube Disperser, Air
6	1	19322	Adapter Base, 2510	20	1	10227	Screen, Injector
7	1	19936	Seal, 2510, Base	21	1	10229	Gasket, Injector Cap, 1600
8	1	19899	Clamp, Female, 2510	22	1	11893	Cap, Injector, SS
9	1	19900	Clamp, Male, 2510	23	2	10692	Screw, Slot Hex Hd, 10-24 x 1-5/8-inch
10	1	40000	Pin, Hinge, Clamp	24	1	14805	Gasket, Injector Body, 1600/1700
11	1	19998	Pivot, Clamp, 2510	25	1	12338	Fitting, Elbow, 90 Deg.
12	1	40057	Screw, Comb Hd, 114-20, 2-inch				
13	1	19197	Ring, Slip				
14	1	18303	O-ring, -336				

CONTROL VALVE ASSEMBLY *CONTINUED*

Item No.	QTY	Part No.	Description	Item No.	QTY	Part No.	Description
			1/2-inch NPT x 1/2-inch Barb			60705-20	DLFC, Plastic 2.0 gpm
26	1	11893	Cap, Injector, Stainless Steel			60705-24	DLFC, Plastic 2.4 gpm
		10228	Cap, Injector, Brass			60705-30	DLFC, Plastic 3.0 gpm
27	1	15137	Screw, Hex Wsh Mach, 10-24 x 3/8			60705-35	DLFC, Plastic 3.5 gpm
28	1	10757	Spacer, End			60705-40	DLFC, Plastic 4.0 gpm
29	1	12973-0	Nozzle, Injector, #0, PVC			60705-45	DLFC, Plastic 4.5 gpm
		12973-1	Nozzle, Injector, #1, PVC			60705-50	DLFC, Plastic 5.0 gpm
		12973-2	Nozzle, Injector, #2, PVC			60705-60	DLFC, Plastic 6.0 gpm
		12973-3	Nozzle, Injector, #3, PVC			60705-70	DLFC, Plastic 7.0 gpm
		12973-4	Nozzle, Injector, #4, PVC			60706-8.0	DLFC, QC x 3/4-inch F, 8.0 gpm
		10913-000	Nozzle, Injector, #000 Brown			60706-9.0	DLFC, QC x 3/4-inch F, 9.0 gpm
		10913-00	Nozzle, Injector, #00 Violet			60706-10	DLFC, QC x 3/4-inch F, 10 gpm
		10913-0	Nozzle, Injector, #0 Red			60706-12	DLFC, QC x 3/4-inch F, 12 gpm
		10913-1	Nozzle, Injector, #1 White			60706-15	DLFC, QC x 3/4-inch F, 15 gpm
		10913-2	Nozzle, Injector, #2 Blue			60706-20	DLFC, QC x 3/4-inch F, 20 gpm
		10913-3	Nozzle, Injector, #3 Yellow				
		10913-4	Nozzle, Injector, #4 Green	33	1	61670-00	Piston Kit, 2510/2750
30	1	12974-0	Throat, Injector, #0, PVC			62044	Piston Kit, 2750, Hot Water
		12974-1	Throat, Injector, #1, PVC	34	1	61670-01	Piston Kit, 2510/2750, NHWPB
		12974-2	Throat, Injector, #2, PVC	35	2	19228-01	Adapter Assy, Coupling w/O-ring
		12974-3	Throat, Injector, #3, PVC	36	4	13305	O-ring, -119
		12974-4	Throat, Injector, #4, PVC	37	1	14805	Gasket, Injector Body, 1600/1700
		10914-000	Throat, Injector, #000 Brown	Not Shown			
		10914-00	Throat, Injector, #00 Violet	1	11098	11098	Stuffer Tool Assy, 2510/2750
		10914-0	Throat, Injector, #0 Red	1	13061	13061	Puller Assy, Port Ring 2510/2750
		10914-1	Throat, Injector, #1 White	1	12874	12874	Hook, Seal
		10914-2	Throat, Injector, #2 Blue				
		10914-3	Throat, Injector, #3 Yellow				
		10914-4	Throat, Injector, #4 Green				
31	1	60480-000	Injector Assy, 1600 #00, Plastic				
		60480-00	Injector Assy, 1600 #0, Plastic				
		60480-01	Injector Assy, 1600 #1, Plastic				
		60480-02	Injector Assy, 1600 #2, Plastic				
		60480-03	Injector Assy, 1600 #3, Plastic				
		60480-04	Injector Assy, 1600 #4, Plastic				
32	1	60705-00	DLFC, Plastic Blank				
		60705-06	DLFC, Plastic 0.60 gpm				
		60705-08	DLFC, Plastic 0.80 gpm				
		60705-10	DLFC, Plastic 1.0 gpm				
		60705-12	DLFC, Plastic 1.2 gpm				
		60705-13	DLFC, Plastic 1.3 gpm				
		60705-15	DLFC, Plastic 1.5 gpm				
		60705-17	DLFC, Plastic 1.7 gpm				

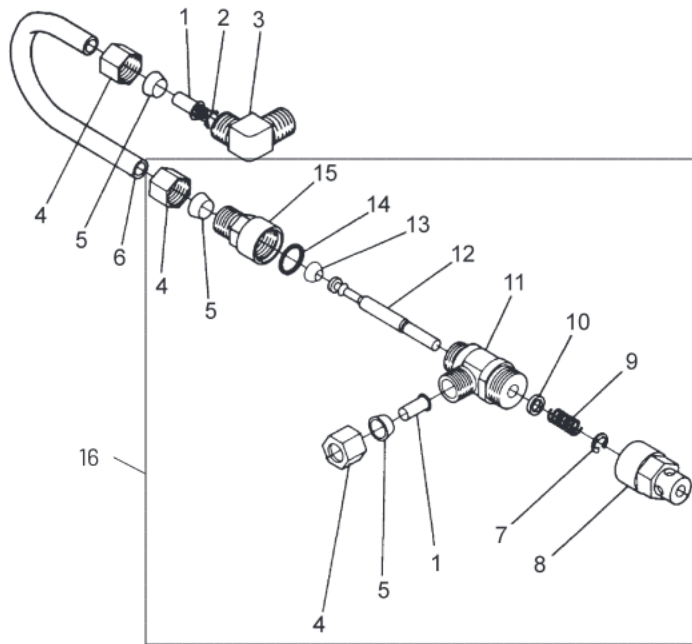
METER ASSEMBLY



60088 Rev E

Item No.	QTY	Part No.	Description
1	4	12473	Screw - Meter Cover
2	1	15659	Assembly, 10-24 x 5/8-inch Meter Cover Assy. - Ext., Rt.
		15452	Angle (Not Shown) Meter Cap Assy, 3/4-inch to 2-inch , Std, Rt Ang/90, Plastic Paddle
3	1	13847	O-ring - Meter Cover
4	1	13509	Impeller
5	4	13314	Screw - Adapter Clip, 8-18 x 0.6-inch
6	4	13255	Adapter Clip
7	1	13821	Meter Body
8	4	13305	O-ring - Meter Body, -119
9	1	14613	Flow Straightener
10	1	60088-180	Meter Assy, 3/4-inch Dual Port, Slip Std, RT Angle/180
		60089-180	Plastic Paddle Wheel, w/clips Meter Assy, 3/4-inch Dual Port, Slip, EXT, RT Angle/180
		60086-50	Plastic Paddle Wheel, w/clips Meter Assy, 3/4-inch Dual Port, Slip, Elec, Plas, Pdl, w/clips

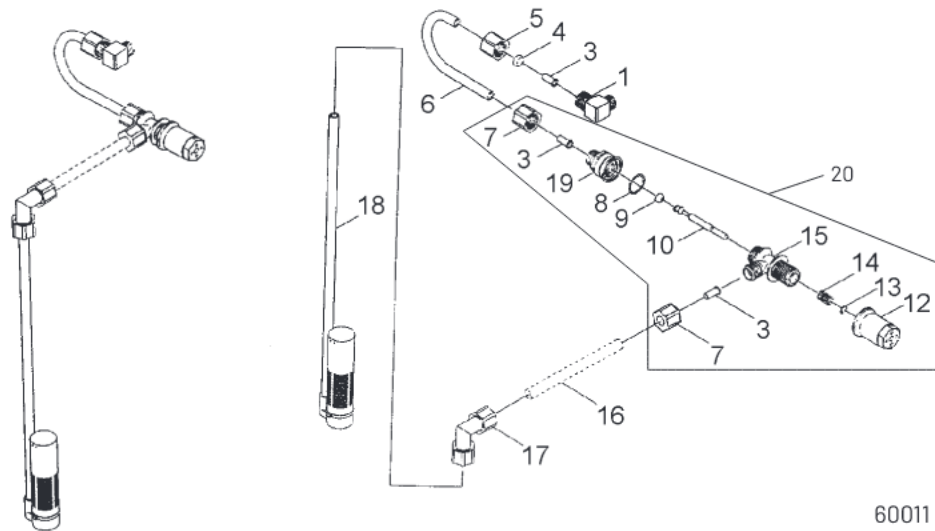
1600 BRINE SYSTEM ASSEMBLY



60029 Rev C

Item No.	QTY	Part No.	Description	Item No.	QTY	Part No.	Description
1	2	10332	Fitting, Insert, 3/8	12	1	12552-02	Brine Valve Stem, 1600, with Seat
2	1	12767	Screen, Brine	13	1	12626	Seat, Brine Valve
3	1	10328	Fitting, Elbow, 90 Deg. 1/4-inch NPT x 3/8 Tube	14	1	11982	O-ring, -016
4	3	10329	Fitting, Tube, 3/8 Nut, Brass	15	1	60020-25	BLFC, .25 GPM, 1600
5	3	10330	Fitting, Sleeve, 3/8 Celcon			60020-50	BLFC, .50 GPM, 1600
6	1	16508-01	Tube, Brine Valve, 2850/2900s			60020-100	BLFC, 1.0 GPM, 1600
		12774	Tube, Brine Valve, 1500	16	1	60029-010	Brine Valve, 1600 Short Stem, 0.25 gpm
		40027	Tube, Brine Valve, 2510, HWBP			60029-020	Brine Valve, 1600 Short Stem, 0.50 gpm
		14428	Tube, Brine Valve, 1600/1650, NHWBP			60029-030	Brine Valve, 1600 Short Stem, 1.00 gpm
		15221-01	Tube, Brine Valve, 2750/2900				
		42184	Tube, Brine Valve, 2850s				
		41683	Tube, Brine Valve, UF, 2900S 1600/1650				
7	1	10250	Ring, Retaining				
8	1	11749	Guide, Brine Valve Stem				
9	1	10249	Spring, Brine Valve				
10	1	12550	Quad Ring, -009				
11	1	12748	Brine Valve Body Assy, 1600 w/Quad Ring				

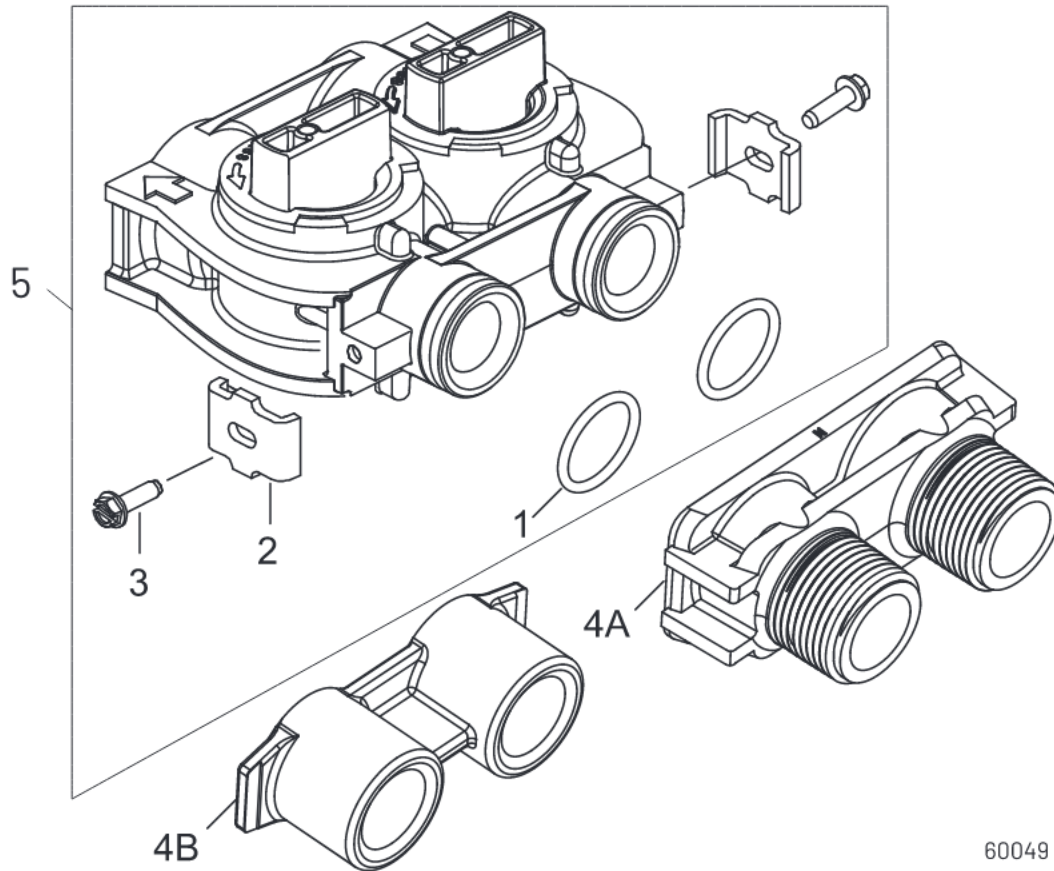
1650 BRINE SYSTEM



60011 Rev D

Item No.	QTY	Part No.	Description	Item No.	QTY	Part No.	Description
1	1	10328	Elbow, 90 1/4 NPT x 3/8	19		60010-25 BLFC Assy. (Parts)	
3	3	10332	Insert, 3/8	1	17907	Housing	
4	1	10330	Sleeve, 3/8 Nut Brine	1	12128	25 GPM Label	
5	1	10329	Tube Fitting, 3/8 Nut Brine	1	12094	25 Flow Washer	
6	1	16508-01	Tube, Brine Valve,	1	12098	Retainer	
			2850/2900s			60010-50 BLFC Assy. (Parts)	
		12774	Tube, Brine Valve, 1500	1	17907	Housing	
		40027	Tube, Brine Valve, 2510,	1	10759	50 GPM Label	
			HWBP	1	12095	50 Flow Washer	
		14428	Tube, Brine Valve, 1600/1650,	1	12098	Retainer	
			NHWBP			60010-100 BLFC Assy. (Parts)	
		15221-01	Tube, Brine Valve, 2750/2900	1	17907	Housing	
		42184	Tube, Brine Valve, 2850s	1	10760	1.0 GPM Label	
		41683	Tube, Brine Valve, UF, 2900S	1	12097	1.0 Flow Washer	
			1600/1650	1	12098	Retainer	
7	2	19625	Assy., GFN Nut	20		60011-010	Brine Valve, 1650, Short Stem,
8	1	16924	O-ring, -018				0.25 gpm
9	1	12626	Seat, Brine Valve			60011-020	Brine Valve, 1650, Short Stem,
10	1	12552	Brine Valve Stem, 1600				0.50 gpm
12	1	17906	Guide, Brine Valve Stem			60011-030	Brine Valve, 1650, Short Stem,
13	1	10250	Retaining Ring				1.00 gpm
14	1	10249	Spring, Brine Valve				
15	1	17884	Brine Valve Body Assy.,				
			Plastic				
17	1	12794	Elbow, 3/8 Tube Poly, White				
18	1	60002	#500 Air Check				

BYPASS VALVE ASSEMBLY (PLASTIC)

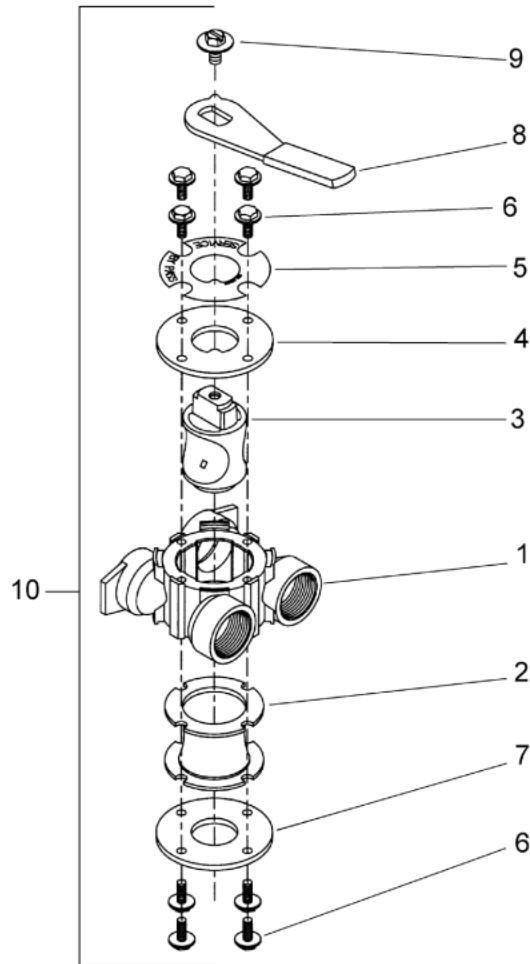


60049 Rev G

Item No.	QTY	Part No.	Description
1	2	13305	O-ring, -119
2	2	13255	Clip, Mounting
3	2	13314	Screw, Slot Ind Hex, 8-18 x .60
4A	1	18706	Yoke, 1-inch , NPT, Plastic
		18706-02	Yoke, 3/4-inch , NPT, Plastic
4B	1	13708-40	Yoke, 1-inch , Sweat
		42690	Yoke, 3/4-inch, Sweat, Brass
		41027-01	Yoke, 3/4-inch , NPT, Cast, Machined
		41026-01	Yoke, 1-inch , NPT, Cast, Machined, SS
		18706-10	Yoke, 1-inch , BSP, Plastic
		18706-12	Yoke, 3/4-inch , BSP, Plastic
		19620-01	Yoke Assy, 3/4-inch , R/ Angle, 90 Deg
5	1	60049	Bypass Plastic
*	2	19228-01	Adapter Assy, Coupling, w/O-rings

*Not Shown

BYPASS VALVE ASSEMBLY (METAL)

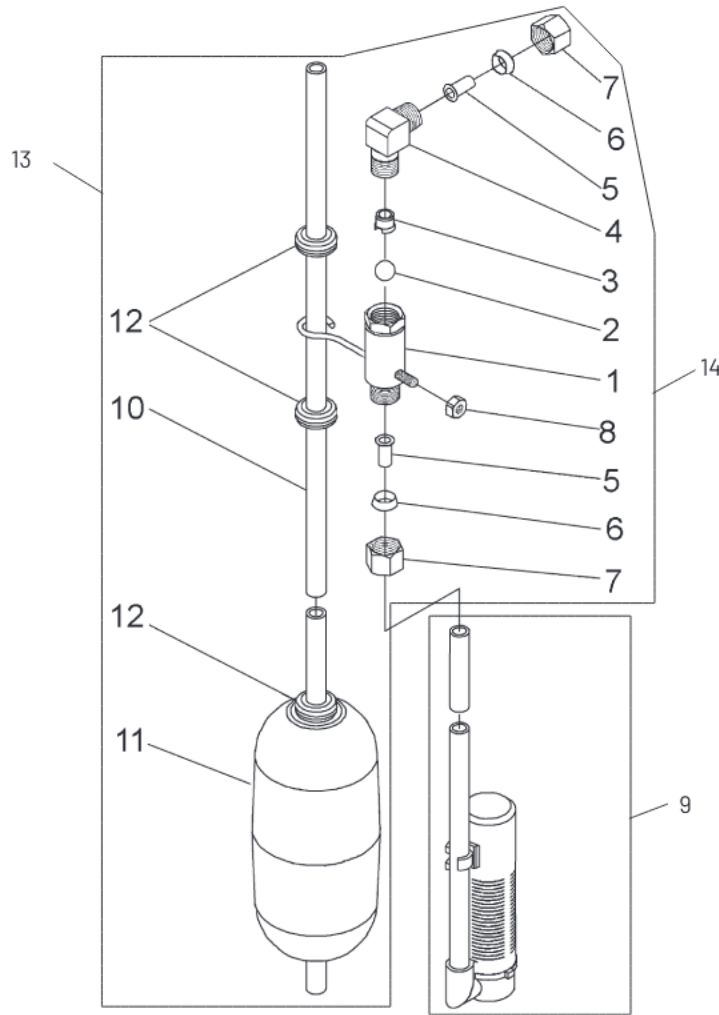


60040SS Rev T
60041SS Rev U

Item No.	QTY	Part No.	Description
1	1	40614	Bypass Body, 3/4-inch
		40634	Bypass Body, 1-inch, SS
2	1	14105	Seal, Bypass, 560CD
3	1	11972	Plug, Bypass
4	1	11978	Side Cover
5	1	13604-01	Label
6	8	15727	Screw, 10-24 x 0.5-inch
7	1	11986	Side Cover
8	1	11979	Lever, Bypass
9	1	11989	Screw, Hex Head, 1/4-14 x 1.5-inch
10	1	60040SS	Bypass Valve, 5600, 3/4-inch NPT Blk Grip Lever, SS
	1	60041SS	Bypass Valve, 5600, 1-inch NPT Blk Grip Lever, SS
*	2	19228-01	Adapter Assy, Coupling, w/O-rings

*Not Shown

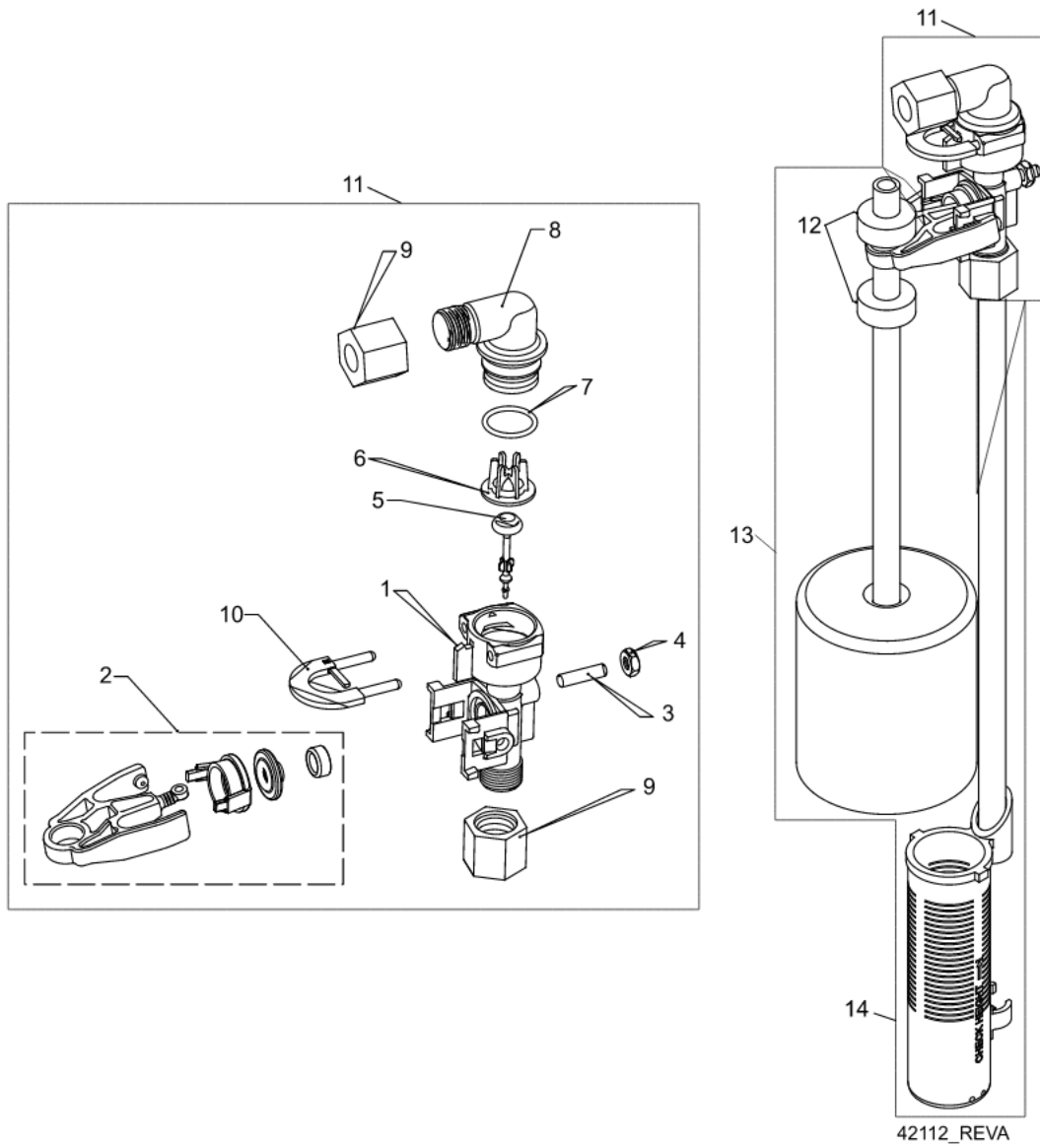
2300 SAFETY BRINE VALVE



60027 Rev D

Item No.	QTY	Part No.	Description	Item No.	QTY	Part No.	Description
1	1	60027-00	Safety Brine Valve, 2300, Less Elbow				Long
2	1	10138	Ball, 3/8-inch, Brass			60002-36	Air Check, #500, 36 inches Long
3	1	11566	Ball Stop, Slow Fill			60002-48	Air Check, #500, 48 inches Long
4	1	10328	Fitting, Elbow, 90 Deg. 1/4 NPT x 3/8 Tube			60002-26.25	Air Check, #500, 26.25 inches Long
5	1	10332	Fitting, Insert, 3/8			60002-33.25	Air Check, #500, 33.25 inches Long
6	1	10330	Fitting, Sleeve, 3/8 Celcon				Long
7	1	10329	Fitting, Tube, 3/8 Nut, Brass	10	1	10149	Rod, Float, 30-inch
8	1	10186	Nut, Hex, 10-32	11	1	10700	Float Assy, White
9	1	60002-10	Air Check, #500, American Hydro	12	3	10150	Grommet, .30 Dia
		60002-11.38	Air Check, #500, 11.38 inches Long	13	1	60028-30	Float Assy, 2300, 30-inch White
		60002-24	Air Check, #500, 24 inches Long	14	1	60027-FFA	Safety Brine Valve, 2300, Fitting Facing Arm
		60002-27	Air Check, #500, 27 inches Long	1	1	60027-FFS	Safety Brine Valve, 2300 Fitting Facing Stud
		60002-32	Air Check, #500, 32 inches Long				
		60002-34	Air Check, #500, 34 inches Long				

2310 SAFETY BRINE VALVE



2310 SAFETY BRINE VALVE *CONTINUED*

Item No.	QTY	Part No.	Description
1	1	19645	Body, Safety Brine Valve, 2310
2	1	19803	Safety Brine Valve Assy
3	1	19804	Screw, Sckt Hd, Set, 10-24 x .75
4	1	19805	Nut, Hex, 10-24, Nylon Black
5	1	19652-01	Poppet Assy, SBV w/0-ring
6	1	19649	Flow Dispenser
7	1	11183	O-ring, -017
8	1	19647	Elbow, Safety Brine Valve
9	2	19625	Nut Assy, 3/8-inch Plastic
10	1	18312	Retainer, Drain
11	1	60014	Safety Brine Valve Assy, 2310
12	2	10150	Grommet, .30 Dia
13	1	60068-8.06	Float Assy, 2310, w/8.06-inch Rod
		60068-10.5	Float Assy, 2310, w/10.5-inch Rod
		60068-11.5	Float Assy, 2310, w/11.5-inch Rod
		60068-20	Float Assy, 2310, w/20-inch Rod
		60068-30	Float Assy, 2310, w/30-inch Rod
14	1	60002-10	Air Check, #500, American Hydro
		60002-11.38	Air Check, #500, 11.38 inches Long
		60002-24	Air Check, #500, 24 inches Long
		60002-27	Air Check, #500, 27 inches Long
		60002-32	Air Check, #500, 32 inches Long
		60002-34	Air Check, #500, 34 inches Long
		60002-36	Air Check, #500, 36 inches Long
		60002-48	Air Check, #500, 48 inches Long
		60002-26.25	Air Check, #500, 26.25 inches Long
		60002-33.25	Air Check, #500, 33.25 inches Long

SEAL & SPACER TOOLS & REPLACEMENT

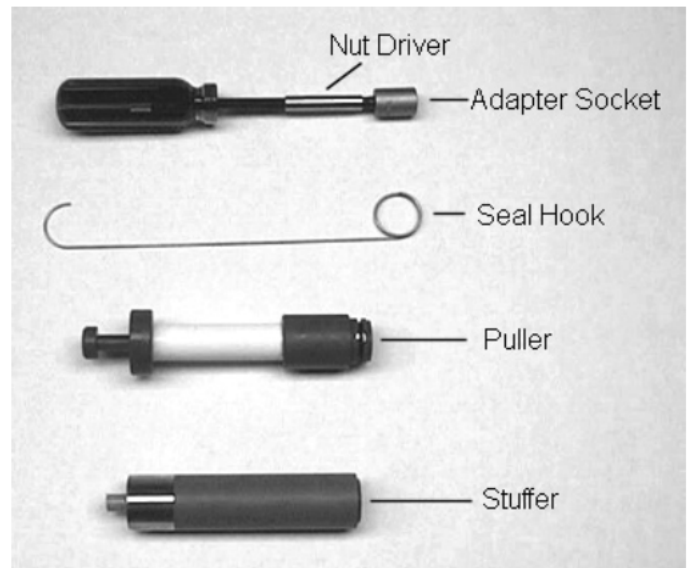


Figure 5

NOTE: Photos shown are for reference only for replacing the seal and spacer. Actual valve may be different.

1. Turn off water supply to valve. Next, cycle valve to backwash position, then to service. Now remove electrical plug from outlet.
2. Remove control box cover.
3. Disconnect the brine line from the injector housing to the brine valve (if your unit has timed brine tank fill).
4. Remove the two capscrews that hold the back plate to the valve.
5. Grasp the back plate on both sides and slowly pull end plug and piston assembly out of the valve body (see "Figure 6")

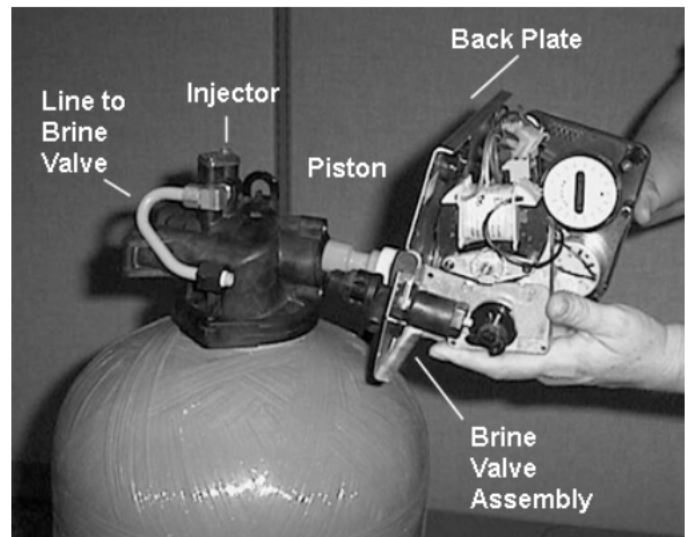


Figure 6

SEAL & SPACER TOOLS & REPLACEMENT

CONTINUED

6. Remove the seal first using the wire hook with the finger loop (see "Figure 7").

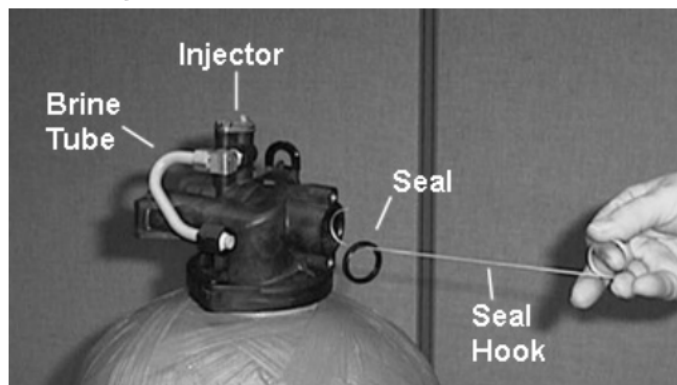


Figure 7

7. The spacer tool (use only for removing the spacers) has three retractable pins, retained by a rubber ring, at one end. They are retracted or pushed out by pulling or pushing the center button the opposite end.
8. Insert the pin end of the spacer tool into the valve body with the pins retracted (button pulled back). Push the tool tight against the spacer and push the button in, (see Figure 8). When the button is pushed in, the pins are pushed out to engage the 1/4 dia. holes in the spacer. Remove the tool from the valve body. The spacer will be on the end. Pull the center button back, the pins will be retracted and the spacer can be removed from the spacer tool.

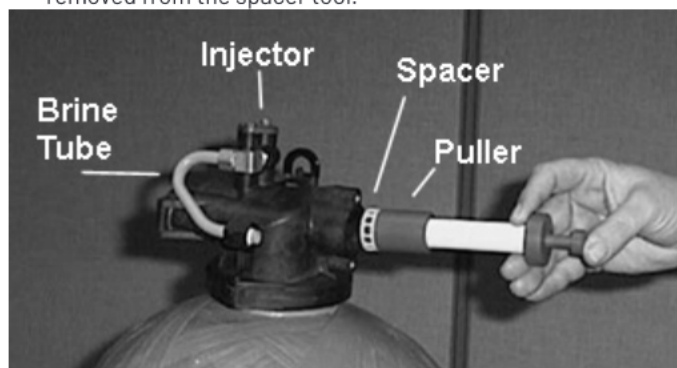


Figure 8

9. Alternately remove the remaining seals and spacers in accordance with steps No. 6 and 8.
10. The last or end spacer does not have any holes for the pins of the spacer tool to engage, therefore if the end spacer does not come out on the first try, try again using the wire hook with the finger loop.

11. To replace seals, spacers and end ring, use special tool with the brass sleeve on one end. This is a double-purpose tool (see Figure 5). The male end acts as a pilot to hold the spacers as they are pushed into the valve body and the brass female end is used to insert the seals into the valve body.

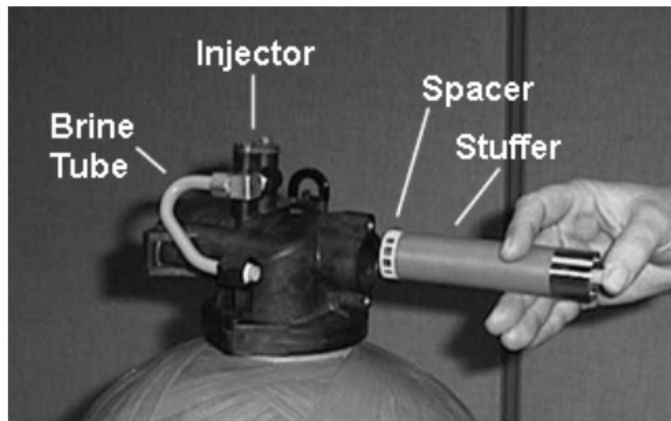


Figure 9

12. To restuff a valve body, first take the end ring (the plastic or brass ring without holes), then with your thumb press the button on the brass sleeve end. The large dia. inner portion is now exposed (see Figure 8). Place the end ring on this pilot with the lip on the end ring facing the tool. Push the tool into the valve body bore until it bottoms. While the tool is in the valve body, take a seal and press it into the inside diameter of the exposed brass female end.
13. Remove the tool, turn it end for end and insert it into the valve body bore. While holding the large dia. of the tool, slide it all the way into the valve body bore until it bottoms. Then push the center button to push the seal of the tool and leave it in place in the valve body.
14. Remove the tool from the valve body and push the center on the brass female end to expose the pilot on the opposite end. Place a spacer on this end and insert the spacer and tool into the valve.

GENERAL SERVICE HINTS FOR METER CONTROL

Problem: Softener delivers hard water

Reason: Reserve capacity has been exceeded.

Correction: Check salt dosage requirements and reset program wheel to provide additional reserve.

Reason: Program wheel is not rotating with meter output.

Correction: Pull cable out of meter cover and rotate manually. Program wheel must move without binding and clutch must give positive clicks when program wheel strikes regeneration stop. If it does not, replace timer.

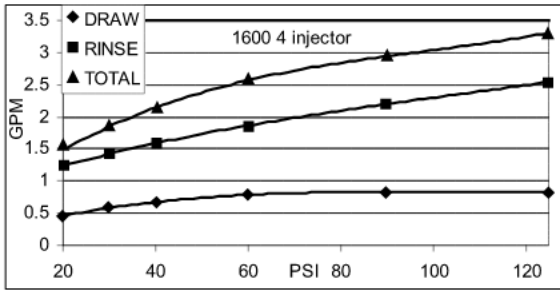
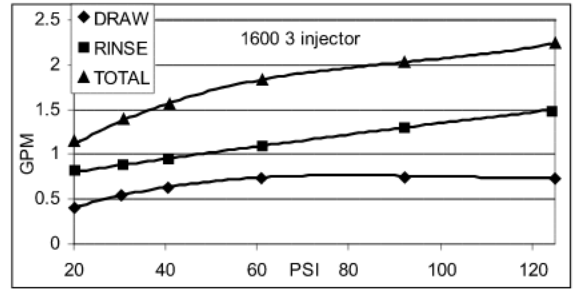
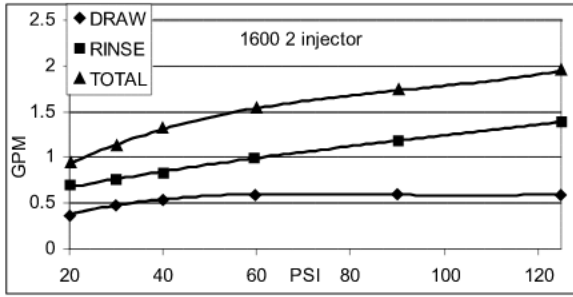
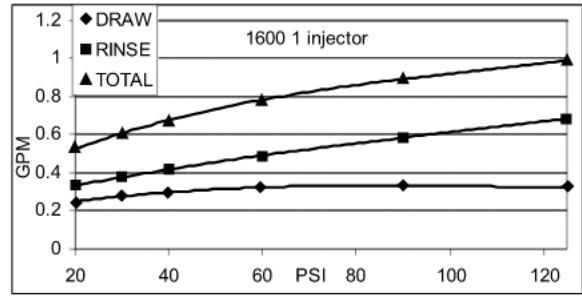
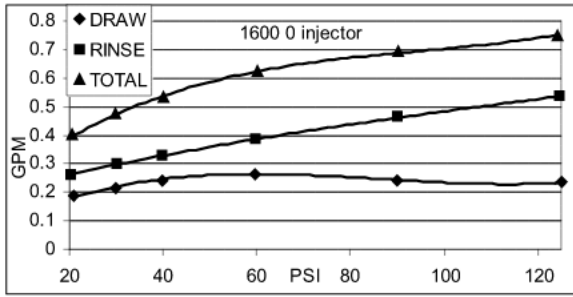
Reason: Meter is not measuring flow.

Correction: Check meter with meter checker.

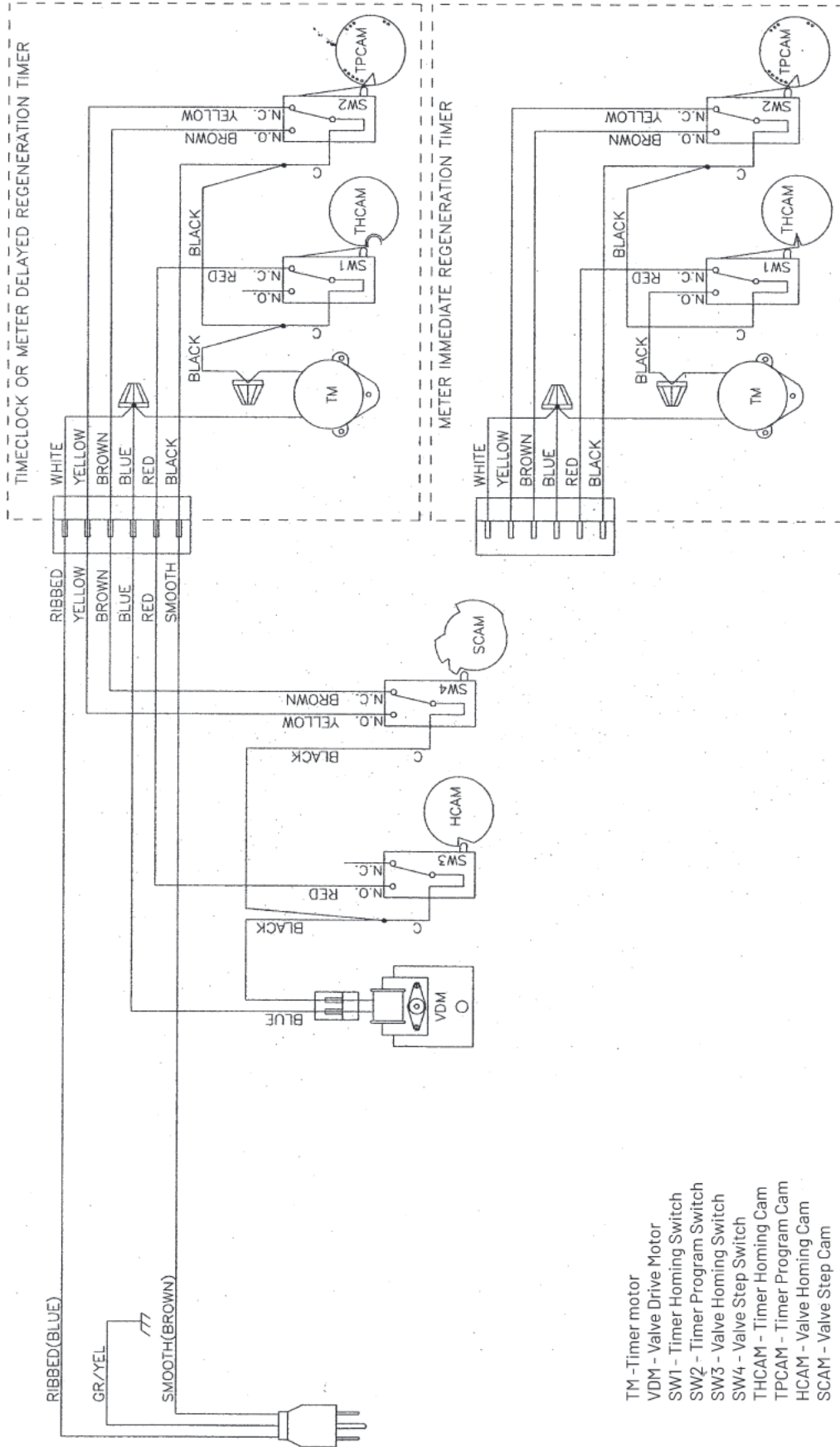
TROUBLESHOOTING

Problem	Cause	Correction
Water conditioner fails to regenerate.	Electrical service to unit has been interrupted	Assure permanent electrical service (check fuse, plug, pull chain, or switch)
	Timer is defective.	Replace timer.
	Power failure.	Reset time of day.
Hard water.	By-pass valve is open.	Close by-pass valve.
	No salt is in brine tank.	Add salt to brine tank and maintain salt level above water level.
	Injector screen plugged.	Clean injector screen.
	Insufficient water flowing into brine tank.	Check brine tank fill time and clean brine line flow control if plugged.
	Hot water tank hardness.	Repeated flushings of the hot water tank is required.
	Leak at distributor tube.	Make sure distributor tube is not cracked. Check o-ring and tube pilot.
	Internal valve leak.	Replace seals and spacers and/or piston.
Unit used too much salt.	Improper salt setting.	Check salt usage and salt setting.
	Excessive water in brine tank.	See "Excessive water in brine tank".
Loss of water pressure.	Iron buildup in line to water conditioner.	Clean line to water conditioner.
	Iron buildup in water conditioner.	Clean control and add mineral cleaner to mineral bed. Increase frequency of regeneration.
	Inlet of control plugged due to foreign material broken loose from pipes by recent work done on plumbing system.	Remove piston and clean control.
Loss of mineral through drain line.	Air in water system.	Assure that well system has proper air eliminator control. Check for dry well condition.
	Improperly sized drain line flow control.	Check for proper drain rate.
Iron in conditioned water.	Fouled mineral bed.	Check backwash, brine draw, and brine tank fill. Increase frequency of regeneration. Increase backwash time.
Excessive water in brine tank.	Plugged drain line flow control.	Clean flow control.
	Plugged injector system.	Clean injector and screen.
	Timer not cycling.	Replace timer.
	Foreign material in brine valve.	Replace brine valve seat and clean valve.
	Foreign material in brine line flow control.	Clean brine line flow control.
Softener fails to draw brine.	Drain line flow control is plugged.	Clean drain line flow control.
	Injector is plugged.	Clean injector
	Injector screen plugged.	Clean screen.
	Line pressure is too low.	Increase line pressure to 20 psi
	Internal control leak	Change seals, spacers, and piston assembly.
	Service adapter did not cycle.	Check drive motor and switches.
Control cycles continuously.	Misadjusted, broken, or shorted switch.	Determine if switch or timer is faulty and replace it, or replace complete power head.
Drain flows continuously.	Valve is not programming correctly.	Check timer program and positioning of control. Replace power head assembly if not positioning properly.
	Foreign material in control.	Remove power head assembly and inspect bore. Remove foreign material and check control in various regeneration positions.
	Internal control leak.	Replace seals and piston assembly.

FLOW DATA & INJECTOR DRAW RATES



TR20391_REVA



NOTE:

1. Single Tank Timeclock, Meter Delayed, or Meter Immediate Regeneration
2. Valve Shown In Service Position.

SERVICE ASSEMBLIES

24 Hour Gear Assemblies

40096-02Dial 2AM Regen Assy, Black
40096-24Dial 12AM Regen Assy, Black
60519-02Gear Assy, 3200 24 Hour 2 Times/Day
60519-03Gear Assy, 3200, 24 Hour 3 Times/Day
60519-04Gear Assy, 3200, 24 Hour 4 Times/Day
60519-06Gear Assy, 3200, 24 Hour (12:00) 6 Times/Day

Brine Line Flow Control (BLFC)

60010-25BLFC, 1650, .25 GPM, Plastic
60010-50BLFC, 1650, .50 GPM, Plastic
60010-100BLFC, 1650, 1.0 GPM, Plastic

Brine Valves

60011-010Brine Valve, 1650, Short Stem, .25 GPM, Less Tube
60011-030Brine Valve, 1650, Short Stem, 1.0 GPM, Less Tube

Bypasses

60049Bypass Plastic Assy
60040SSBypass Valve, 5600, 3/4-inch NPT
60041SSBypass Valve, 5600, 1-inch NPT

Cam

60160-15Drive Cam Assy, STF, Blue
----------	--------------------------------

Clamp

60503Clamp Ring Assembly, 2510
-------	--------------------------------

Coupling

60510Adapter Coupling Assy, 5600
-------	----------------------------------

Drain Line Flow Controls

60705-00DLFC, Plastic, Blank
60705-06DLFC, Plastic, .60 GPM
60705-08DLFC, Plastic, .80 GPM
60705-10DLFC, Plastic, 1.0 GPM
60705-12DLFC, Plastic, 1.2 GPM
60705-13DLFC, Plastic, 1.3 GPM
60705-15DLFC, Plastic, 1.5 GPM
60705-17DLFC, Plastic, 1.7 GPM
60705-20DLFC, Plastic, 2.0 GPM
60705-24DLFC, Plastic, 2.4 GPM
60705-30DLFC, Plastic, 3.0 GPM
60705-35DLFC, Plastic, 3.5 GPM
60705-40DLFC, Plastic, 4.0 GPM
60705-45DLFC, Plastic, 4.5 GPM
60705-50DLFC, Plastic, 5.0 GPM
60705-60DLFC, Plastic, 6.0 GPM
60705-70DLFC, Plastic, 7.0 GPM
60705-8.0DLFC, QC x 3/4-inch F, 8.0 GPM
60705-9.0DLFC, QC x 3/4-inch F, 9.0 GPM
60705-12DLFC, QC x 3/4-inch F, 12.0 GPM
60705-15DLFC, QC x 3/4-inch F, 15.0 GPM

Drives

60050-21Drive Assy, 2750, STF, 120V Softener
----------	---

Injectors

60480-xx1600 Injector Assy (Specify size of Injector)
----------	--

Meters

60088-180Meter Assy, 3/4-inch Dual Port, Slip Std, Rt Ang/180 Plastic Paddle w/clips
60089-180Meter Assy, 3/4-inch Dual Port, Slip Ext, Rt Ang/180 Plastic Paddle w/clips

Piston, Seal, and Spacer Kits

61670-01Piston Kit 2510/2750
61670-02Piston Kit, 2510, 2750, NHWPB
62044Piston Kit, 2750, Hot Water
61671-02NHWPB Conversion Kit, 2510

Program Wheels

60405-10Program Wheel, w/3/4-inch Std Label Set @ 21
60405-15Program Wheel, w/3/4-inch Std Label w/ People Label Set @ 21

Safety Brine (2300)

60028-30Float Assy, 2350, 30-inch, White
60027-FFASafety Brine Valve Body, 2300 Fitting Facing Arm
60027-FFSSafety Brine Valve Body, Fitting Facing Stud

Sales and Service Aids

40097Literature, 2510, S/Manual
16510Literature, 2510, Spec Sheet

Skipper Wheels

14860Skipper Wheel Assy, 7 Day
14381Skipper Wheel Assy, 12 Day

Yokes

13708-40Yoke, 1-inch, Sweat
13708-45Yoke, 3/4-inch, Sweat
18706Yoke, 1-inch, NPT, Plastic
18706-20Yoke, 3/4-inch, NPT, Plastic
19275Yoke, Angle 90 Deg. 3/4-inch, NPT
19275-45Yoke, Angle 90 Deg. 3/4-inch Sweat
19620-01Yoke Assy, 3/4-inch, R/Angle, 90 Deg w/O-rings, Clips and Screws
40636Yoke, 1-1/4 inch, NPT
40636-49Yoke, 1-1/4 inch, Sweat
41026-01Yoke, 1-inch, NPT, SS
41027-01Yoke, 3/4-inch, NPT, Cast, Machd



For Pentair Fleck Product Warranties visit: pentair.com/assets/residential-filtration-warranty



13845 Bishops Dr. | Suite 200 | Brookfield, WI 53005 | United States
P: 262.238.4400 | Customer Service: 800.279.9404 | tech-support@pentair.com | pentair.com

All indicated Pentair trademarks and logos are property of Pentair. Third party registered and unregistered trademarks and logos are the property of their respective owners.
© 2021 Pentair. All rights reserved.

40097 REV T N022